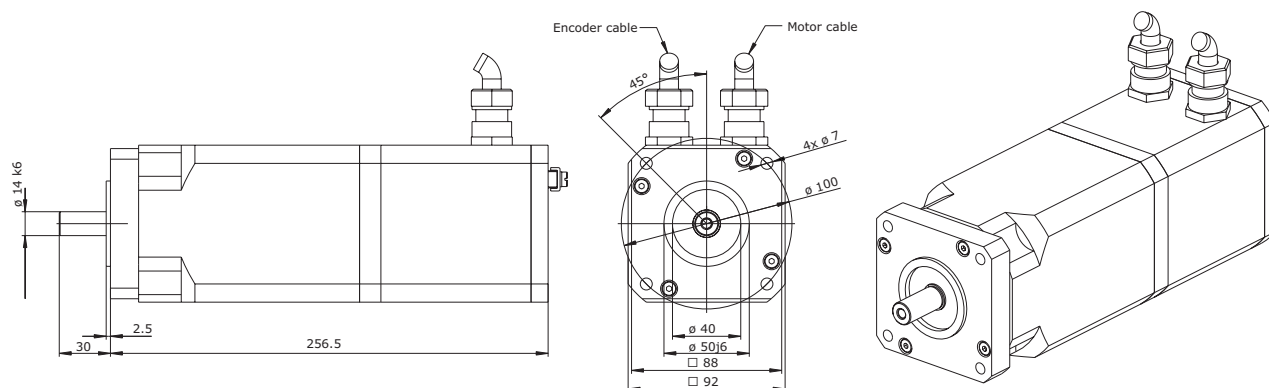
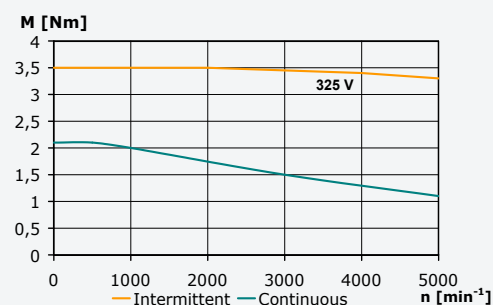


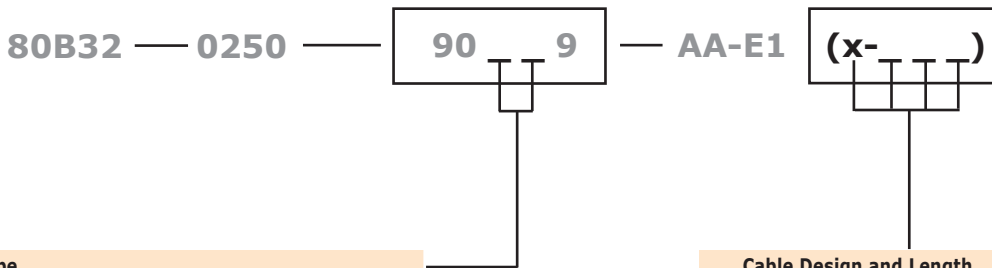
C  US

		Series 80B32-0250- 907U9-AA-E1
→ Rated Values		
Peak torque (c.d.f. 15%)*	[Nm]	3.5
Stall torque (c.d.f. 100%)*	[Nm]	2.1
Rated torque (c.d.f. 100%)*	[Nm]	1.5
Rated speed	[min ⁻¹]	3000
Peak current (per phase) (c.d.f. 15%)*	[A _{RMS}]	5.6
Stall current (per phase) (c.d.f. 100%)*	[A _{RMS}]	3.3
Rated current (per phase) (c.d.f. 100%)*	[A _{RMS}]	2.7
Max. DC link voltage	[V _{DC}]	325
* Mounting Flange 200 x 240 x 20 mm ³		
→ Technical Data Motor		
Motor constant (at 25°C)	[Nm/W ^{1/2}]	0.27
Torque constant	[Nm/A]	0.64
Voltage constant	[V/1000min ⁻¹]	33
Winding resistance (at 25°C)	[Ω]	2.7
Winding inductivity	[mH]	7.0
Maximum current per phase	[A _{RMS}]	5.6
Number of pole pairs		3
Motor inertia	[kgm ² x10 ⁻³]	0.16
Insulation class		F, 155°
Temperature sensor		PTC, 105 °C
Ambient temperature	[°C]	-20 ... +40
Protection class		IP54
Max. axial load	[N]	130
Max. radial load	[N]	250
Max. axial load during assembly	[N]	500
Mass	[kg]	5.4
→ Technical Data Multiturn Absolute Encoder		
Resolution „multiturn“ (revolutions)	[Bit]	12
Resolution „singleturn“ (per revolution)	[Bit/rev]	13
Operating voltage	[V]	10 ... 30
Signal specification		BISS

→ Characteristic 80B32 ATEX / ECOVARIO 414

- Servo motors certified according to ATEX directive 94/9/EG
- according to equipment group II, category 2G, temperature class T4 (135 °C)
- flameproof enclosure protection „d“
- explosion group IIB
- suitable for use in zones 1 and 2 (U.S.A. zone 1)
- fulfil the demands of DIN EN 60079-0 and EN 60079-1
- EC prototype test certificate IBExU 04 ATEX 1091
- Recognition of the quality assurance of final product „servomotor“, IBExU 14 ATEX Q006 according to directive 94/9/EG





Encoder Type

6U	Multiturn absolute value encoder, resolution 13 bit/rev and 12 bit revolutions, SSI interface, for ECOSTEP®
7U	Multiturn absolute value encoder, resolution 13 bit/rev and 12 bit revolutions, BiSS interface, for ECOVARIO®

Further encoders and options on request.

Cable Design and Length

Specification in parentheses:
(plug connector - cable length in cm)

Cable lengths up to 35 m are available. Motor and encoder plug are located in the wiring space of the motor. Both cables are lead through the cable glands which are in the scope of delivery. For the connection to the servo amplifier plug connectors are available for
 ECOSTEP 100 → x = 1
 ECOSTEP 200 → x = 2
 ECOSTEP 216 → x = 3
 ECOVARIO 214/414 → x = 4

Motor cable	Ø 8.9 mm; trailing capability from bend radius > 125 mm
Encoder cable	Ø 10.4 mm; trailing capability from bend radius > 104 mm

→ **Ordering Examples**

80B32-0250-906U9-AA-E1 (2-500)	Motor 80B32 with multiturn absolute value encoder, resolution 13 bit/rev and 12 bit revolutions, SSI interface, Plug connector to ECOSTEP200, cable length 5 m
80B32-0250-907U9-AA-E1 (4-100)	Motor 80B32 with multiturn absolute value encoder, resolution 13 bit/rev and 12 bit revolutions, BiSS interface, Plug connector to ECOVARIO, cable length 1 m

→ **Motor Cable Assignment**

Connection	Motor cable wire
Phase A	3
Phase /A	1
Phase B	4
Phase /B	2
PE	gn/ye
Shield	Shield

→ **Encoder Cable Assignment**

Connection	Encoder cable wire	Pin DSub (9 pins) *
Ub	white	5
GND	brown	6
Channel CLK	yellow	4
Channel /CLK	green	9
Channel DAT	pink	3
Channel /DAT	grey	8
PTC T+	blue	2
+5V	red	1
Shield	bare	Shroud

*) for ECOVARIO an adapter from DSub 9-pole to 15-pole is provided.