

TH30

series



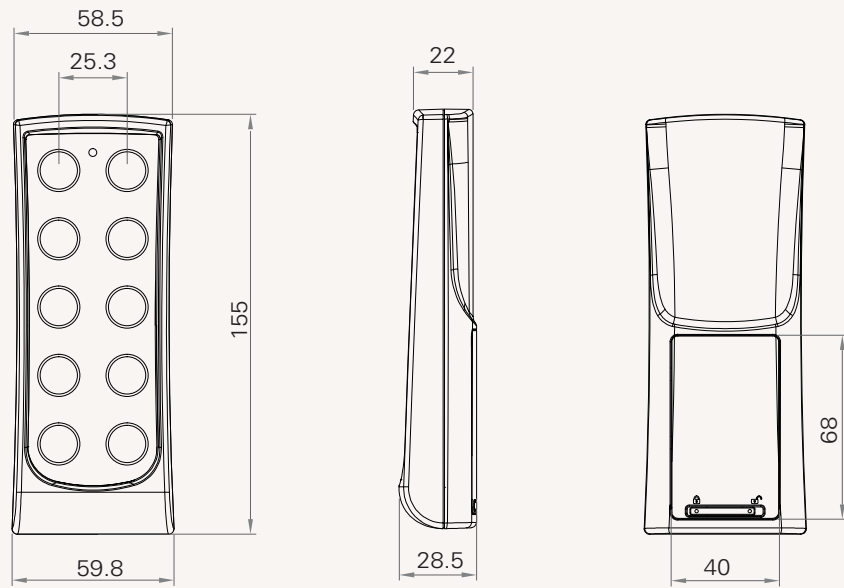
Product Segments

- **Care Motion**

Connected actuators	1~4
Maximum available buttons	10
With wireless function	IEEE802.15.4 standard
Working with wireless receiver	TRF2
Operating distance	3~7m
Color	Black or grey
Certificate	IEC60601-1

Drawing

Standard Dimensions
(mm)



TH30

Version: 20150601-E

<input type="checkbox"/>	Communication Protocols	1 = IEEE 802.15.4			
<input type="checkbox"/>	Number of Actuators	1 = 1	2 = 2	3 = 3	4 = 4
<input type="checkbox"/>	Color	1 = Black		2 = Grey (Pantone 428C)	
<input type="checkbox"/>	Key Definition	01~65 = See appendix*			
<input type="checkbox"/>		Note: please contact TiMOTION before making an order			
<input type="checkbox"/>	Backup Battery	1 = Without battery (with battery clip)		2 = With two AAA 1.5V batteries (with battery clip)	

Terms of Use

The user is responsible for determining the suitability of TiMOTION products for a specific application. TiMOTION products are subject to change without prior notice.