

TFS6

series



Product Segments

- **Care Motion**

Maximum available buttons

10

IP rating

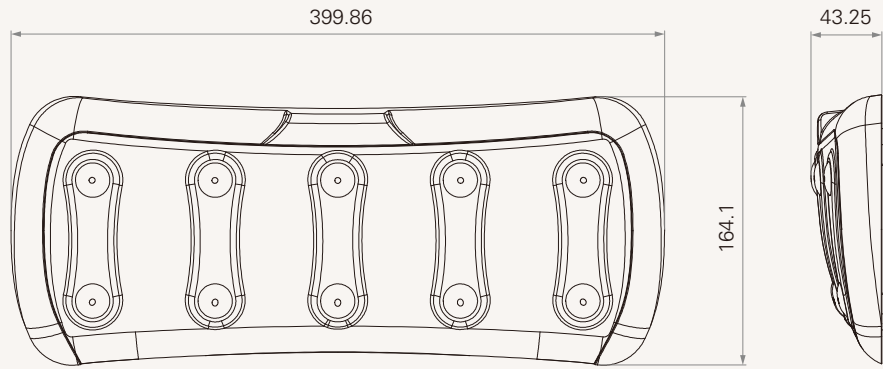
Up to IP66

Options

Can operate without cable

Drawing

Standard Dimensions
(mm)



TFS6

Version: 20150610-A

<input type="checkbox"/>	Connection	0 = Cableless (Gfrequency : 2.4G; it needs to work with TRF2 and control box WITHOUT MCU) 1 = Cable (standard 1000mm)		
<input type="checkbox"/>	Plug	0 = Wireless version : without plug 1 = DIN 8pin 90° plug 2 = RJ 10pin 90° plug	4 = DIN 8pin 180° plug 5 = RJ 10pin 180° plug, work with TC6/TC9 or extension cable 6 = RJ 10pin 180° flat plug, work with TC11/TC15/TC16	
<input type="checkbox"/>	Color	1 = Black	2 = Grey (Panton 428C)	
<input type="checkbox"/>	Key Definition	01~03 = Standard: 01~03* Note : please contact TiMOTION before making an order		
<input type="checkbox"/>		AA = Customized		
<input type="checkbox"/>	Buttons	1 = 4 2 = 6	3 = 8 4 = 10 (Please select key definitions option #AA)	
<input type="checkbox"/>	Support Motors	1 = 1 2 = 2	3 = 3 4 = 4	5 = 5 (Please select control box type option #1)
<input type="checkbox"/>	Backup Battery	0 = Without (cable) 1 = 1.5V AAA dry-cellx2pcs (cableless) 2 = Without battery (cableless)		
<input type="checkbox"/>	IP Rating	1 = Without	2 = IP54	3 = IP66
<input type="checkbox"/>	Control Box Type	0 = Without MCU + NO MCU control box (switching type, support 4 motors max.) 1 = Without MCU + MCU control box (switching type, support 5 motors max.)		

Terms of Use

The user is responsible for determining the suitability of TiMOTION products for a specific application. TiMOTION products are subject to change without prior notice.