

TC14

series



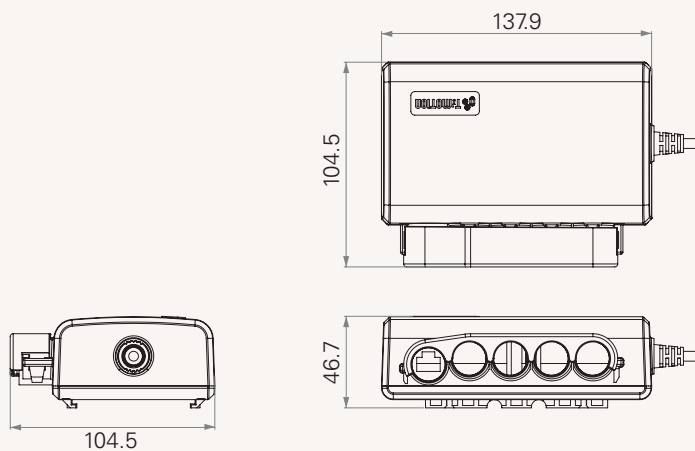
Product Segments

- **Care Motion**

Maximum output	30V DC, 6.0A
Number of actuators	1~4
Color	black or grey
IP rating	IP54 or IP66
Certificate	IEC60601-1 and ES60601-1

Drawing

Standard Dimension
(mm)



Terms of Use

The user is responsible for determining the suitability of TiMOTION products for a specific application.






Due to continuous development in order to improve our products, TiMOTION products are subject to frequent modifications and changes without prior notice.

TiMOTION reserves the right to discontinue the sale of any products displayed on its website or listed in its catalogue or other written materials drawn up by TiMOTION.

TC14 Ordering Key

TC14

Version: 20141028-D

	Number of Actuators	1 = 1	2 = 2	3 = 3	4 = 4
	Color	1 = Black		2 = Grey (Pantone 428C)	
	Cable Length	1 = Straight, 1000mm, 01pin, male 2 = Straight, 1000mm, DIN 5pin, male		A = Customized	
	Fixation	1 = On the actuator (TA6/TA6C/TA7/TA10) 2 = On the steel bracket		3 = On the plastic bracket	
	IP Rating	1 = Without	2 = IP54	3 = IP66	