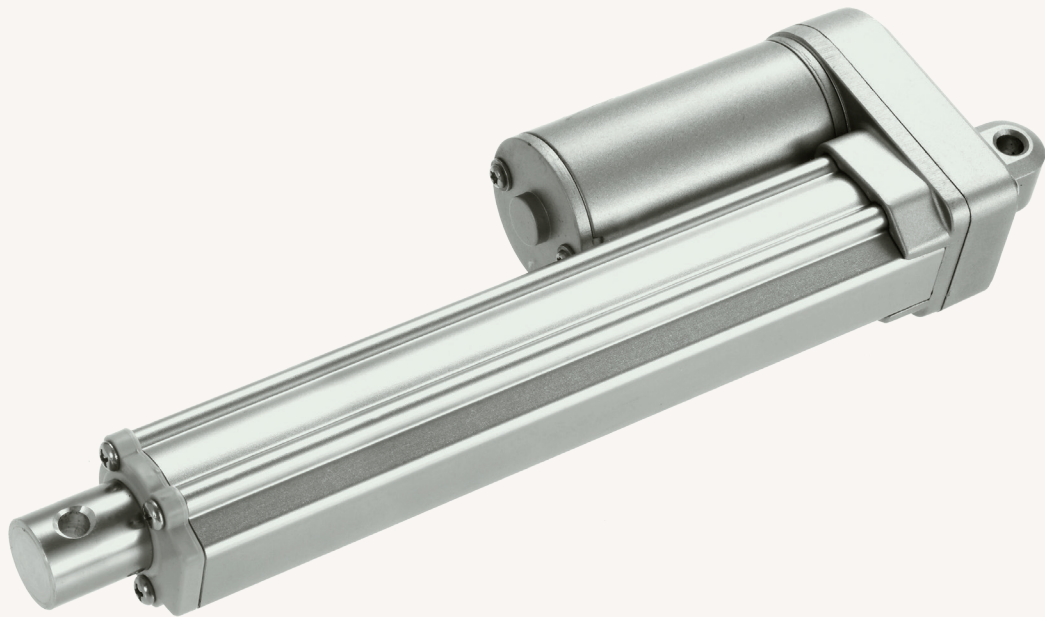


TA2

series



Product Segments

- **Auto Motion**

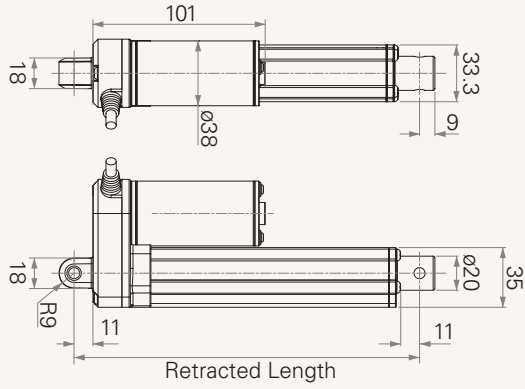
TA2 is one of the Auto Motion series products. With its compact size, TA2 is perfect for use in small spaces without sacrificing power or capability. The typical application is construction machinery, ventilation system, or food and beverage automation...etc.

General Features

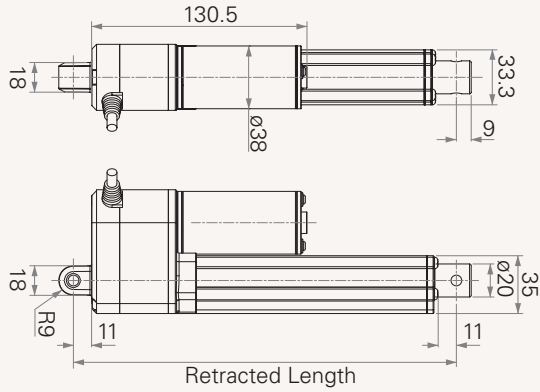
Voltage of motor	12V DC, 24V DC, 36V DC, or 48V DC
Maximum load	1,000N in pull/push
Maximum speed	64.0mm/s
Minimum installation dimension	stroke+105mm (without output signals)
Minimum installation dimension	stroke+135mm (with output signals)
Color	silver
Certificate	IEC60601-1, EMC, and RoHS
Option	POT, Optical, Hall/Reed sensor(s)
Compact size for limited space	

Drawing

Dimension Without
Output Signals



Dimension with
Output Signals



Load and Speed

CODE	Rated Load		Self Locking N (PUSH)	Typical Current at Rated Load (A)	Typical Speed	
	PUSH N	PULL N			No Load (24V DC) mm/s	Rated Load (24V DC) mm/s
Motor Speed (4200RPM)						
A	120	120	120	1.2	44.0	32.0
B	240	240	240	1.2	22.0	16.0
C	500	500	500	1.0	11.0	8.8
D	750	750	750	1.0	7.5	6.2
E	1000	1000	1000	1.0	5.5	4.5
Motor Speed (6000RPM)						
F	120	120	120	1.8	64.0	47.0
G	240	240	240	1.8	32.0	23.6
H	500	500	500	1.5	16.0	13.0
K	750	750	750	1.5	10.0	9.0
L	1000	1000	1000	1.5	8.0	6.5

Note

- 1 The left diagram shows the speed and current figures under pushing condition.
- 2 Speed would be the same if with 12V motor, but with double current consumption comparing 24V motor.

Terms of Use

The user is responsible for determining the suitability of TiMOTION products for a specific application.

Due to continuous development in order to improve our products, TiMOTION products are subject to frequent modifications and changes without prior notice.

TiMOTION reserves the right to discontinue the sale of any products displayed on its website or listed in its catalogue or other written materials drawn up by TiMOTION.

Minimum Retracted Length

Stroke	Without Output Signals	With Output Signal
Front Attachment 1,2 with Rear Attachment 1,2,3		
25~150mm	Stroke+105mm	Stroke+135mm
151~300mm	Stroke+107mm	Stroke+137mm
Front Attachment 1,2 with Rear Attachment 4,5,6		
25~150mm	Stroke+109mm	Stroke+139mm
151~300mm	Stroke+111mm	Stroke+142mm
Front Attachment 3,4,5 with Rear Attachment 1,2,3		
25~150mm	Stroke+115mm	Stroke+145mm
151~300mm	Stroke+117mm	Stroke+147mm
Front Attachment 3,4,5 with Rear Attachment 4,5,6		
25~150mm	Stroke+119mm	Stroke+149mm
151~300mm	Stroke+121mm	Stroke+151mm

Additional retracted length

TA Series	Safety Stroke Limit (mm)	Additional Stroke (mm)	Additional Invalid Length (mm)
TA1	300	0<additional stroke≤50	5
TA1 (6000N)	200	0<additional stroke≤50	5
TA1 (8000N) up	150	0<additional stroke≤50	5
TA2	300	0<additional stroke≤50	10
TA2P	300	0<additional stroke≤50	10
TA4	200	0<additional stroke≤50	5
TA6	300	0<additional stroke≤50	5
TA6 (6000N)	200	0<additional stroke≤50	5
TA7	300	0<additional stroke≤50	5
TA7 (6000N)	200	0<additional stroke≤50	5
TA7 (8000N) up	150	0<additional stroke≤50	5
TA9	200	0<additional stroke≤50	5
TA10	300	0<additional stroke≤50	5
TA10 (6000N)	200	0<additional stroke≤50	5
TA12	300	0<additional stroke≤50	10
TA12 (7000N)	300	0<additional stroke≤50	10
TA12 (12000N)	300	0<additional stroke≤50	10
TA13	300	0<additional stroke≤50	10
TA16	200	0<additional stroke≤50	5

Note

- 1 Above stroke recommendation is based on safety stroke limit, for each additional 50mm stroke, it needs to add 5mm for the retracted length.

For example

- 1 If TA9's stroke is 201mm, the retracted length = 201mm+invalid length+5mm.
- 2 If TA9's stroke is 300mm, the retracted length = 300mm+invalid length+10mm.

TA2 Ordering Key

TA2

Version: 20130502-H

<input type="checkbox"/>	Voltage	1 = 12V	2 = 24V	3 = 36V	4 = 48V
<input type="checkbox"/>	Load and Speed	See appendix			
<input type="checkbox"/>	Stroke				
<input type="checkbox"/>					
<input type="checkbox"/>					
<input type="checkbox"/>	Retracted Length	See appendix			
<input type="checkbox"/>		Note : before selecting retracted length, please refer to the additional retracted length chart			
<input type="checkbox"/>					
<input type="checkbox"/>	Rear Attachment	1 = Hole 6.4mm 2 = Hole 8mm 3 = Hole 10mm 4 = Slot 6mm, hole 6.4mm	5 = Slot 6mm, hole 8mm 6 = Slot 6mm, hole 10mm A = Customized		
<input type="checkbox"/>	Front Attachment	1 = Hole 6.4mm 2 = Hole 8mm 3 = Slot 6mm, hole 10mm	4 = Slot 6mm, hole 6.4mm 5 = Slot 6mm, hole 8mm A = Customized		
<input type="checkbox"/>	Direction of Rear Attachment	1 = 90°	2 = 0°		
<input type="checkbox"/>	Functions for Limit Switches	1 = Two switches at the retracted/extended positions to cut current 2 = Two switches at the retracted/extended positions to cut current with the third one in between to send signal 3 = Two switches at the retracted/extended positions to send signal	4 = Two switches at the retracted/extended positions and the third one in between to send signal A = Customized		
<input type="checkbox"/>	Output Signals	0 = Without 1 = POT	2 = Optical 3 = Reed	4 = One Hall sensor 5 = Two Hall sensors	
<input type="checkbox"/>	Plug	1 = TiMOTION's standard 6pin plug	2 = Tinned leads	A = Customized	
<input type="checkbox"/>	Cable Length	1 = Straight, 300mm	2 = Straight, 600mm	3 = Straight, 1000mm	A = Customized