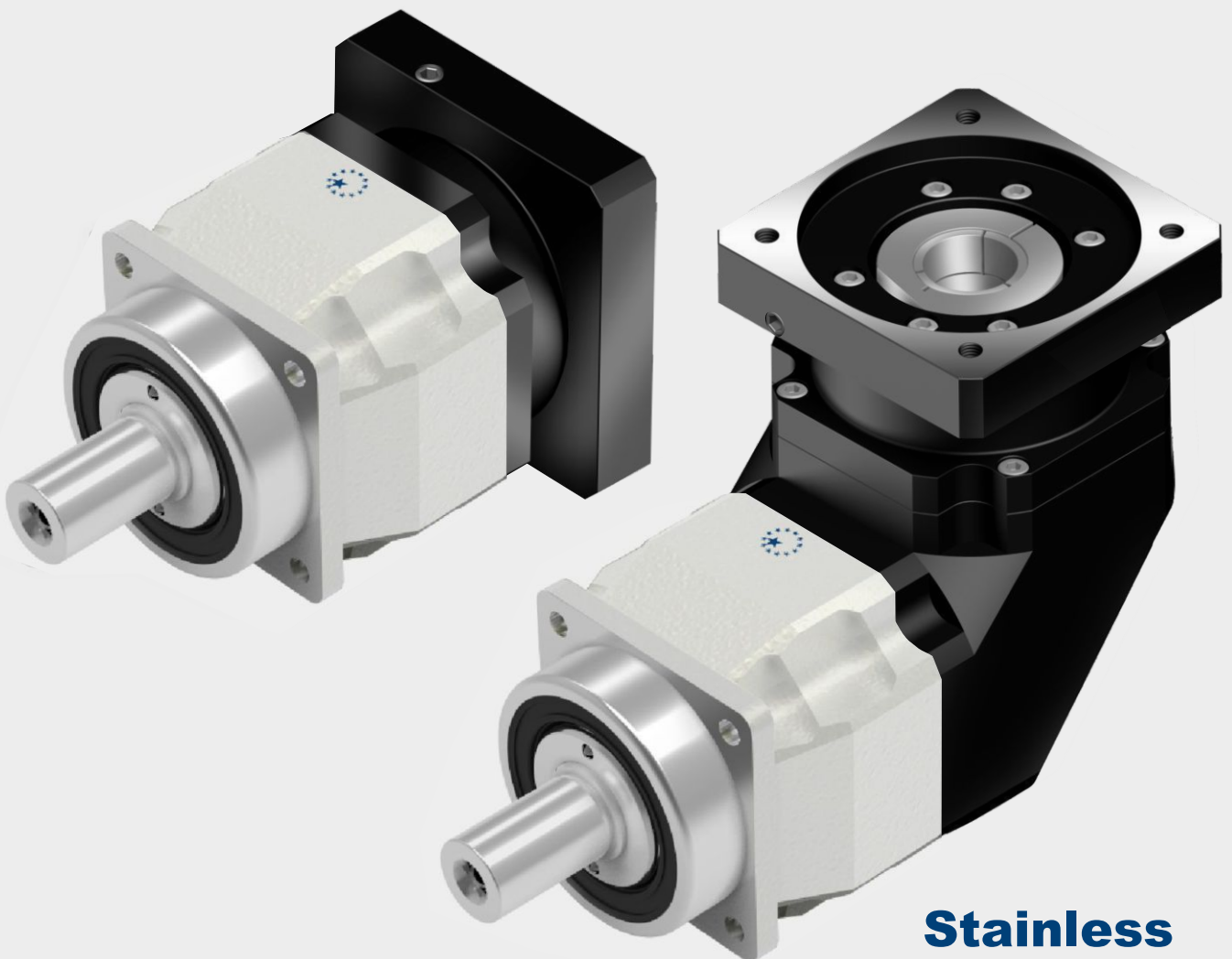




**APEX DYNAMICS, INC.**

**HIGH PRECISION  
HIGH SPEED  
PLANETARY GEARBOX**

**AF / AFR Series**



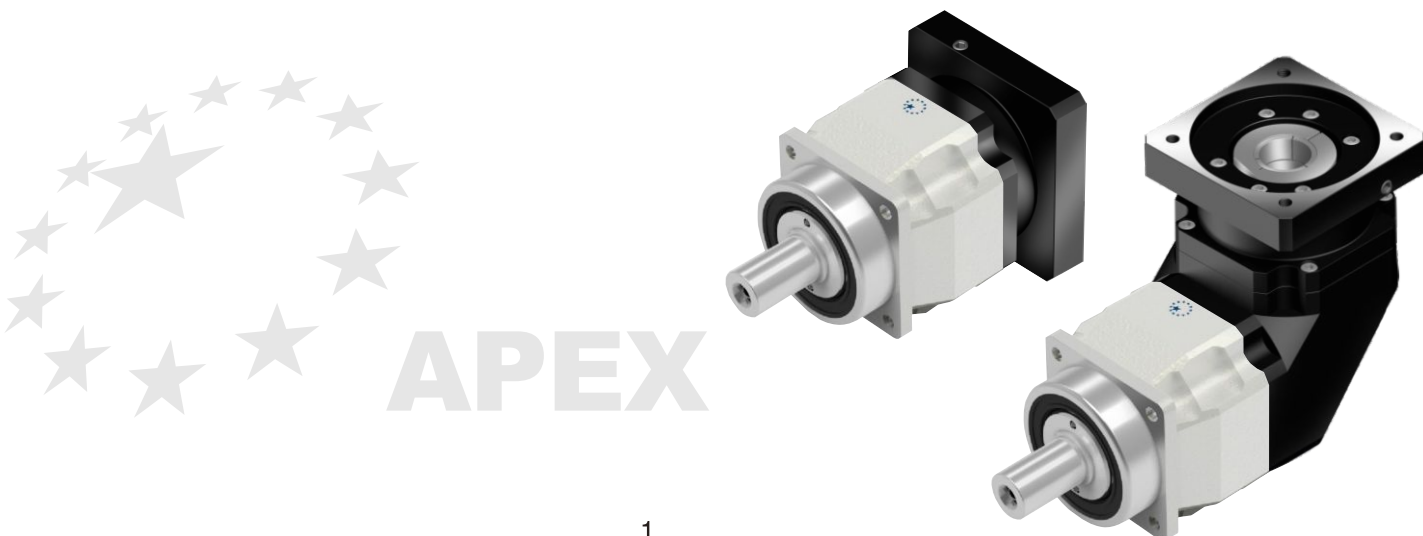
**Stainless**



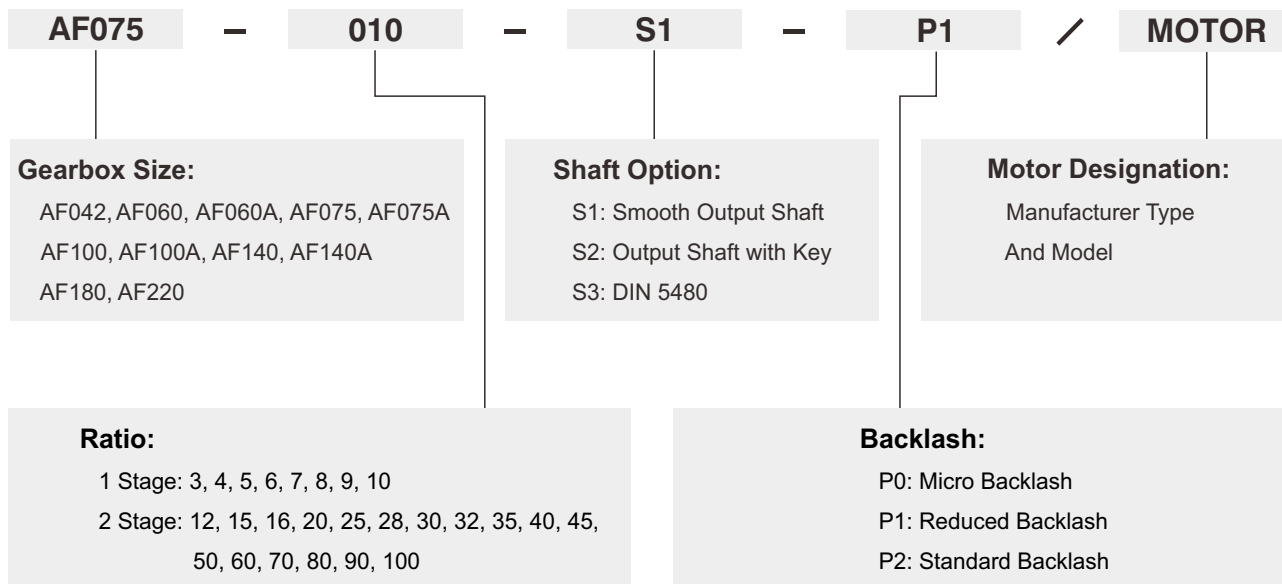
**Apex Dynamics, Inc.** is the world's most productive manufacturer of servomotor drive planetary gearboxes for precision automation machinery. From our 800,000+ square foot ISO 9001:2008 manufacturing facility, based in Taichung, Taiwan, we manufacture to stock using the newest precision machine tools and quality test and inspection equipment. Complete focus on quality and precision allows us to produce our high quality gearheads at precision levels down to less than 1 arc minute (1/60 th of a degree), with consistency and high reliability.

Based on more than twenty years of accumulated manufacturing and marketing experience, plus the highest level of technical production capabilities, Apex Dynamics, Inc. designs and builds technically advanced, high speed, low backlash servo application planetary gearboxes. Our Break through patented technology (over 6 patents), provides the customer with the optimum high precision helical reducer at a reasonable price. We are continuously improving processes, finding proper and effective methods to provide customers new solutions for difficult applications, and developing new products.

The primary focus in daily operation is quality. We pride ourselves on our dedication to quality; our duty - is customer satisfaction.

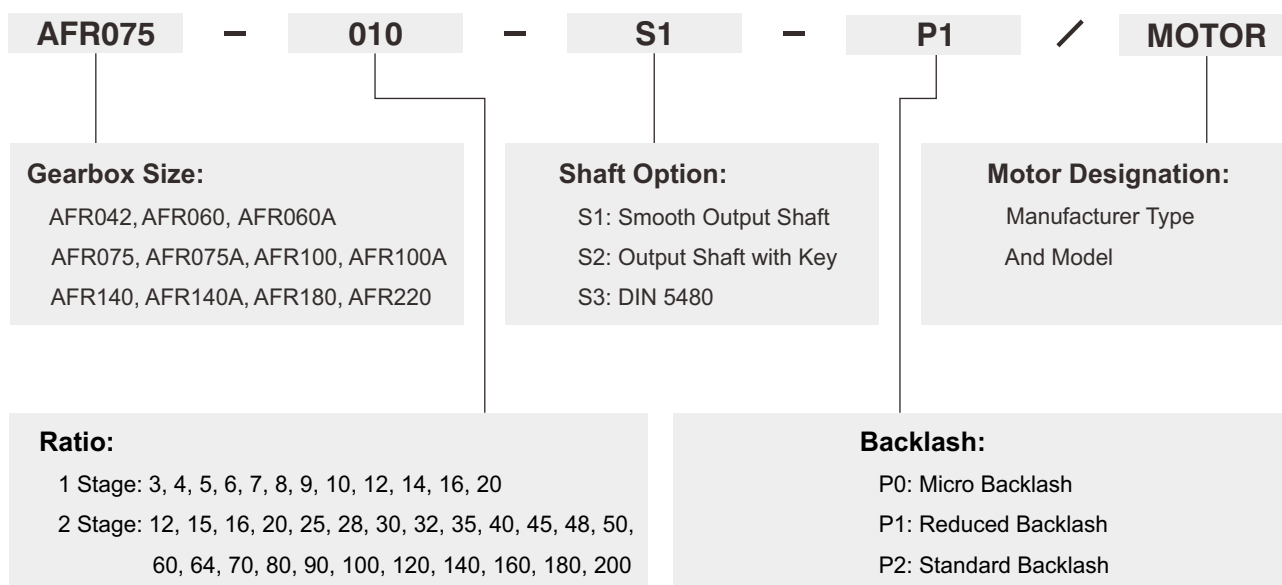


# AF Series



**Ordering Example: AF075-010-S1-P1 / SIEMENS 1FT6 041-4AF71**

# AFR Series



**Ordering Example: AFR075-010-S1-P1 / SIEMENS 1FT6 041-4AF71**



# Specifications / AF Series

## Gearbox Performance

Model No.		Stage	Ratio <sup>(1)</sup>	AF042	AF060	AF060A	AF075	AF075A	AF100	AF100A	AF140	AF140A	AF180	AF220
Nominal Output Torque $T_{2N}$	Nm	1	3	20	55	-	130	-	208	-	342	-	588	1,140
			4	19	50	-	140	-	290	-	542	-	1,050	1,700
			5	22	60	-	160	-	330	-	650	-	1,200	2,000
			6	20	55	-	150	-	310	-	600	-	1,100	1,900
			7	19	50	-	140	-	300	-	550	-	1,100	1,800
			8	17	45	-	120	-	260	-	500	-	1,000	1,600
			9	14	40	-	100	-	230	-	450	-	900	1,500
			10	14	40	-	100	-	230	-	450	-	900	1,500
			12	19	50	50	140	140	290	290	542	542	1,050	1,700
			15	20	55	55	130	130	208	208	342	342	588	1,140
		16	19	50	50	140	140	290	290	542	542	1,050	1,700	
		20	19	50	50	140	140	290	290	542	542	1,050	1,700	
		25	22	60	60	160	160	330	330	650	650	1,200	2,000	
		28	19	50	50	140	140	300	300	550	550	1,100	1,800	
		30	20	55	55	150	150	310	310	600	600	1,100	1,900	
		32	17	45	45	120	120	260	260	500	500	1,000	1,600	
		35	19	50	50	140	140	300	300	550	550	1,100	1,800	
		40	17	45	45	120	120	260	260	500	500	1,000	1,600	
		45	14	40	40	100	100	230	230	450	450	900	1,500	
		50	22	60	60	160	160	330	330	650	650	1,200	2,000	
60	20	55	55	150	150	310	310	600	600	1,100	1,900			
70	19	50	50	140	140	300	300	550	550	1,100	1,800			
80	17	45	45	120	120	260	260	500	500	1,000	1,600			
90	14	40	40	100	100	230	230	450	450	900	1,500			
100	14	40	40	100	100	230	230	450	450	900	1,500			
Emergency Stop Torque $T_{2NOT}^{(2)}$	Nm	1,2	3~100	3 times of Nominal Output Torque										
Nominal Input Speed $n_{iN}$	rpm	1,2	3~100	5,000	5,000	5,000	4,000	4,000	4,000	4,000	3,000	3,000	3,000	2,000
Max. Input Speed $n_{iB}$	rpm	1,2	3~100	10,000	10,000	10,000	8,000	8,000	8,000	8,000	6,000	6,000	6,000	4,000
Micro Backlash P0	arcmin	1	3~10	-	-	-	≤1	-	≤1	-	≤1	-	≤1	≤1
		2	12~100	-	-	-	-	-	≤3	≤3	≤3	≤3	≤3	≤3
Reduced Backlash P1	arcmin	1	3~10	≤3	≤3	-	≤3	-	≤3	-	≤3	-	≤3	≤3
		2	12~100	≤5	≤5	≤5	≤5	≤5	≤5	≤5	≤5	≤5	≤5	≤5
Standard Backlash P2	arcmin	1	3~10	≤5	≤5	-	≤5	-	≤5	-	≤5	-	≤5	≤5
		2	12~100	≤7	≤7	≤7	≤7	≤7	≤7	≤7	≤7	≤7	≤7	≤7
Torsional Rigidity	Nm/arcmin	1,2	3~100	3	7	7	14	14	25	25	50	50	145	225
Max. Radial Load $F_{2RB}^{(3)}$	N	1,2	3~100	610	1,400	1,400	4,100	4,100	9,200	9,200	14,000	14,000	18,000	33,000
Max. Axial Load $F_{2AB}^{(3)}$	N	1,2	3~100	320	1,100	1,100	3,700	3,700	5,820	5,820	11,400	11,400	19,500	16,300
Max. Tilting Moment $M_{2TK}$	Nm	1,2	3~100	20	85	85	380	380	970	970	1,840	1,840	2,740	5,030
Efficiency $\eta$	%	1	3~10	≥97%										
		2	12~100	≥94%										
Weight	kg	1	3~10	0.6	1.3	-	3.7	-	6.9	-	12.6	-	25.5	45
		2	12~100	0.8	1.5	2	4.1	5.5	8.1	10.6	16.6	20.2	31.5	57
Operating Temp	°C	1,2	3~100	-10°C~90°C										
Lubrication		1,2	3~100	Synthetic lubrication oils										
Degree of Gearbox Protection		1,2	3~100	IP65										
Mounting Position		1,2	3~100	all directions										
Noise <sup>(4)</sup>	dB(A)	1,2	3~100	≤56	≤58	≤60	≤60	≤63	≤63	≤65	≤65	≤67	≤67	≤70

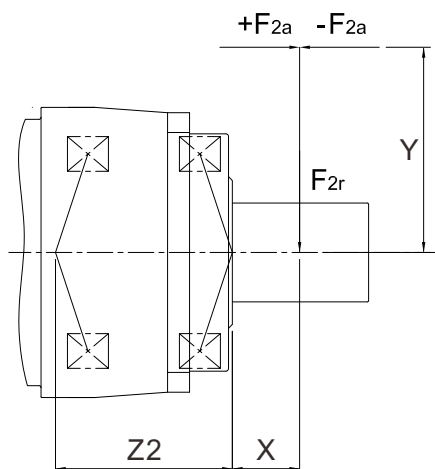
(1) Ratio ( $i=N_{in}/N_{out}$ )

(2) Max. acceleration torque  $T_{2B} = 60\%$  of  $T_{2NOT}$

(3) Applied to the output shaft center at 100 rpm

(4) The dB values are measured by gearbox with ratio 10 (1-stage) or ratio 100 (2-stage), no loading at 3,000 RPM or at the respective Nominal Input Speed by bigger model size.  
By lower ratio and/or higher RPM, the noise level could be 3 to 5 dB higher.

# Max. Tilting Moment $M_{2k}$



$$M_{2K} = \frac{F_{2a} * Y + F_{2r} * (X+Z2)}{1000}$$

$M_{2K}$  : [Nm]  
 $F_{2a}, F_{2r}$  : [N]  
 $X, Y, Z2$  : [mm]

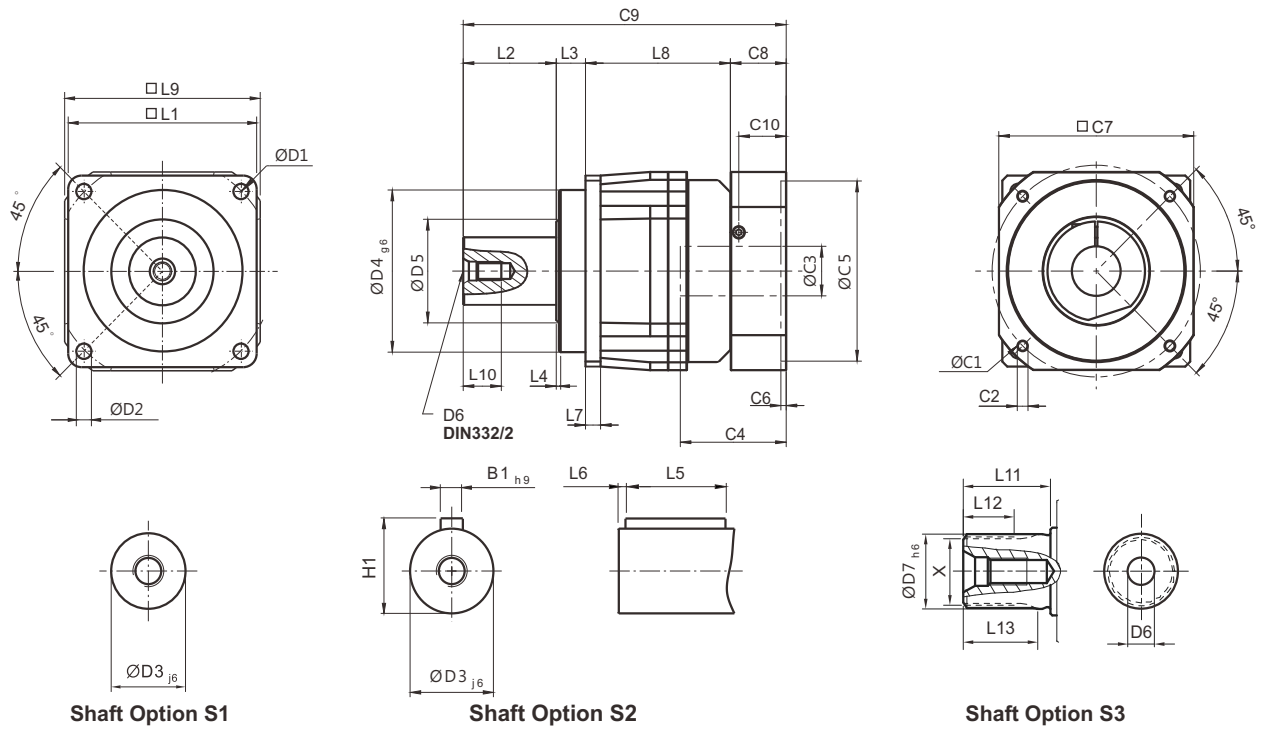
AF / AFR	042	060	075	100	140	180	220
Z2 [mm]	31	66.5	88.7	96	114.2	138.7	127.1

Note : Applied to the output shaft center at 100 rpm.

## Gearbox Inertia

Model No.	Stage	Ratio	AF042	AF060	AF060A	AF075	AF075A	AF100	AF100A	AF140	AF140A	AF180	AF220		
Mass Moments of Inertia $J_1$	1	3	0.03	0.16	-	0.61	-	3.25	-	9.21	-	28.98	69.61		
		4	0.03	0.14	-	0.48	-	2.74	-	7.54	-	23.67	54.37		
		5	0.03	0.13	-	0.47	-	2.71	-	7.42	-	23.29	53.27		
		6	0.03	0.13	-	0.45	-	2.65	-	7.25	-	22.75	51.72		
		7	0.03	0.13	-	0.45	-	2.62	-	7.14	-	22.48	50.97		
		8	0.03	0.13	-	0.44	-	2.58	-	7.07	-	22.59	50.84		
		9	0.03	0.13	-	0.44	-	2.57	-	7.04	-	22.53	50.63		
		10	0.03	0.13	-	0.44	-	2.57	-	7.03	-	22.51	50.56		
		2	12	0.03	0.03	0.16	0.16	0.61	0.61	3.25	3.25	9.21	9.21	28.98	28.98
			15	0.03	0.03	0.13	0.13	0.47	0.47	2.71	2.71	7.42	7.42	23.29	23.29
	16		0.03	0.03	0.14	0.14	0.48	0.48	2.74	2.74	7.54	7.54	23.67	23.67	
	20		0.03	0.03	0.13	0.13	0.47	0.47	2.71	2.71	7.42	7.42	23.29	23.29	
	25		0.03	0.03	0.13	0.13	0.47	0.47	2.71	2.71	7.42	7.42	23.29	23.29	
	28		0.03	0.03	0.14	0.14	0.48	0.48	2.74	2.74	7.54	7.54	23.67	23.67	
	30		0.03	0.03	0.13	0.13	0.47	0.47	2.71	2.71	7.42	7.42	23.29	23.29	
	32		0.03	0.03	0.14	0.14	0.48	0.48	2.74	2.74	7.54	7.54	23.67	23.67	
	35		0.03	0.03	0.13	0.13	0.47	0.47	2.71	2.71	7.42	7.42	23.29	23.29	
	40		0.03	0.03	0.13	0.13	0.47	0.47	2.71	2.71	7.42	7.42	23.29	23.29	
	45	0.03	0.03	0.13	0.13	0.47	0.47	2.71	2.71	7.42	7.42	23.29	23.29		
	50	0.03	0.03	0.13	0.13	0.44	0.44	2.57	2.57	7.03	7.03	22.51	22.51		
60	0.03	0.03	0.13	0.13	0.44	0.44	2.57	2.57	7.03	7.03	22.51	22.51			
70	0.03	0.03	0.13	0.13	0.44	0.44	2.57	2.57	7.03	7.03	22.51	22.51			
80	0.03	0.03	0.13	0.13	0.44	0.44	2.57	2.57	7.03	7.03	22.51	22.51			
90	0.03	0.03	0.13	0.13	0.44	0.44	2.57	2.57	7.03	7.03	22.51	22.51			
100	0.03	0.03	0.13	0.13	0.44	0.44	2.57	2.57	7.03	7.03	22.51	22.51			

# Dimensions (1-stage, Ratio $i=3\sim 10$ ) / AF Series



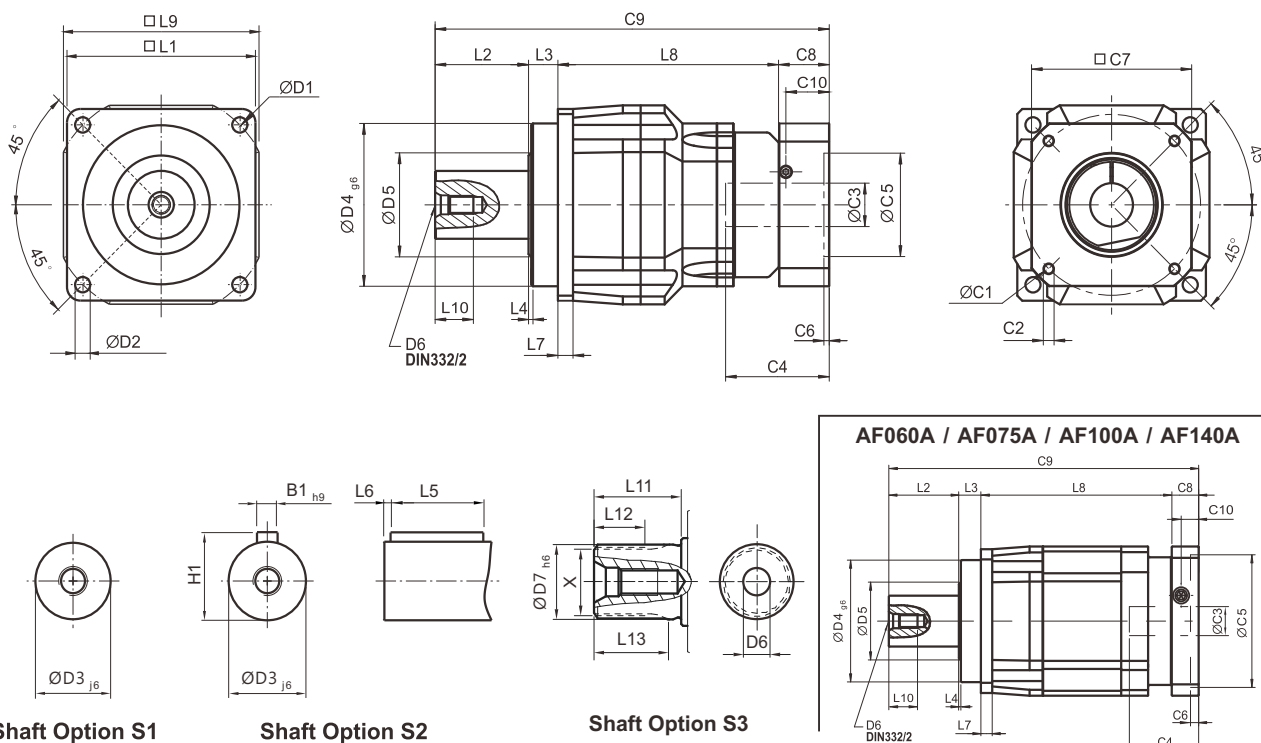
[unit: mm]

Dimension	AF042	AF060	AF075	AF100	AF140	AF180	AF220
D1	50	68	85	120	165	215	250
D2	3.4	5.5	6.8	9	11	13	17
D3 <sub>j6</sub>	13	16	22	32	40	55	75
D4 <sub>g6</sub>	35	60	70	90	130	160	180
D5	22	45	60	80	75	95	115
D6	M4 x 0.7P	M5 x 0.8P	M8 x 1.25P	M12 x 1.75P	M16 x 2P	M20 x 2.5P	M20 x 2.5P
D7 <sub>h6</sub>	-	16	22	32	40	55	75
L1	42	62	76	105	142	180	220
L2	19.5	28.5	36	58	82	82	105
L3	6.5	20	20	30	30	30	33
L4	1	1.5	2	2	3	3	3
L5	16	25	32	40	63	70	90
L6	2	2	3	5	5	6	7
L7	4	6	7	10	12	15	20
L8	31	54.5	86.5	89.5	110	150	163.5
L9	42	60	90	115	142	180	220
L10	10	12.5	19	28	36	42	42
L11	-	26	26	26	40	41.5	52
L12	-	15	15	15	20	21.5	28
L13	-	21	22.5	23	33.5	33.5	45
C1 <sup>1</sup>	46	70	100	130	165	215	235
C2 <sup>1</sup>	M4 x 0.7P	M5 x 0.8P	M6 x 1P	M8 x 1.25P	M10 x 1.5P	M12 x 1.75P	M12 x 1.75P
C3 <sup>1</sup>	≤11 / ≤12 <sup>2</sup>	≤14 / ≤16 <sup>2</sup>	≤19 / ≤24 <sup>2</sup>	≤32	≤38	≤48	≤55
C4 <sup>1</sup>	25	34	40	50	60	85	116
C5 <sup>1</sup>	30	50	80	110	130	180	200
C6 <sup>1</sup>	3.5	8	4	5	6	6	6
C7 <sup>1</sup>	42	60	90	115	142	190	220
C8 <sup>1</sup>	29.5	19	17	19.5	22.5	29	63
C9 <sup>1</sup>	86.5	122	159.5	197	244.5	291	364.5
C10 <sup>1</sup>	8.75	13.5	10.75	13	15	20.75	53
B1 <sub>h9</sub>	5	5	6	10	12	16	20
H1	15	18	24.5	35	43	59	79.5
X DIN5480	-	W16x0.8x 30x18x6m	W22x1.25x 30x16x6m	W32x1.25x 30x24x6m	W40x2x 30x18x6m	W55x2x 30x26x6m	W70x2x 30x34x6m

1. C1~C10 are motor specific dimensions (metric std shown). Refer to [www.apexdyna.com](http://www.apexdyna.com) and Design Tool to view your specific motor mounting system.  
 2. AF042M1 ratio 5, 10 offers C3 ≤ 12 option; AF060M1 ratio 5, 10 offers C3 ≤ 16 option; AF075M1 offers C3 ≤ 24 option.



# Dimensions (2-stage, Ratio i=12~100) / AF Series



[unit: mm]

Dimension	AF042	AF060	AF060A	AF075	AF075A	AF100	AF100A	AF140	AF140A	AF180	AF220	
D1	50	68		85		120		165		215	250	
D2	3.4	5.5		6.8		9		11		13	17	
D3 <sub>j6</sub>	13	16		22		32		40		55	75	
D4 <sub>g6</sub>	35	60		70		90		130		160	180	
D5	22	45		60		80		75		95	115	
D6	M4x0.7P	M5 x 0.8P		M8 x 1.25P		M12 x 1.75P		M16 x 2P		M20x2.5P	M20x2.5P	
D7	56	16		22		32		40		55	75	
L1	42	62		76		105		142		180	220	
L2	19.5	28.5		36		58		82		82	105	
L3	6.5	20		20		30		30		30	33	
L4	1	1.5		2		2		3		3	3	
L5	16	25		32		40		63		70	90	
L6	2	2		3		5		5		6	7	
L7	4	6		7		10		12		15	20	
L8	58.5	65.5	91.5	119.5	134.5	131	150.5	166.5	181.5	205.5	248	
L9	42	60		90		115		142		180	220	
L10	10	12.5		19		28		36		42	42	
L11	-	26		26		26		40		41.5	52	
L12	-	15		15		15		20		21.5	28	
L13	-	21		22.5		23		33.5		33.5	45	
C1 <sup>3</sup>	46	46		70		100		130		165	215	
C2 <sup>3</sup>	M4x0.7P	M4x0.7P	M5 x 0.8P	M5 x 0.8P		M6 x 1P	M6 x 1P	M8x1.25P	M8x1.25P	M10x1.5P	M10x1.5P	M12x1.75P
C3 <sup>3</sup>	≤11 / ≤12 <sup>4</sup>	≤11 / ≤12 <sup>4</sup>	≤14 / ≤16 <sup>4</sup>	≤14 / ≤15.875 / ≤16 <sup>4</sup>		≤19 / ≤24 <sup>4</sup>	≤19 / ≤24 <sup>4</sup>	≤32	≤32	≤38	≤38	≤48
C4 <sup>3</sup>	25	25		34		40		50		60	85	
C5 <sup>3</sup>	30	30		50		80		80		110	180	
C6 <sup>3</sup>	3.5	3.5		8		4		5		6	6	
C7 <sup>3</sup>	42	42		60		90		90		115	190	
C8 <sup>3</sup>	29.5	29.5		19		17		19.5		22.5	29	
C9 <sup>3</sup>	114	143.5	159	194.5	207.5	207.5	258	298	316	340	415	
C10 <sup>3</sup>	8.75	8.75	13.5	13.5	10.75	10.75	13	13	15	15	20.75	
B1 <sub>hg</sub>	5	5		6		10		12		16	20	
H1	15	18		24.5		35		43		59	79.5	
X DIN5480	-	W16x0.8x 30x18x6m		W22x1.25x 30x16x6m		W32x1.25x 30x24x6m		W40x2x 30x18x6m		W55x2x 30x26x6m	W70x2x 30x34x6m	

3. C1-C10 are motor specific dimensions (metric std shown). Refer to [www.apexdyna.com](http://www.apexdyna.com) and Design Tool to view your specific motor mounting system.

4. AF042M1 offers C3 ≤ 12 option; AF060/A M1 offers C3 ≤ 12/16 option; AF075/A M1 offers C3 ≤ 16/24 option; AF075 M2 offers C3 ≤ 15.875 option. AF100M1 offers C3 ≤ 24 option.

# Specifications / AFR Series

## Gearbox Performance

Model No.		Stage	Ratio <sup>(1)</sup>	AFR042	AFR060	AFR060A	AFR075	AFR075A	AFR100	AFR100A	AFR140	AFR140A	AFR180	AFR220		
Nominal Output Torque $T_{2N}$	Nm	1	3	9	36	-	90	-	195	-	342	-	588	1,140		
			4	12	48	-	120	-	260	-	520	-	1,040	1,680		
			5	15	60	-	150	-	325	-	650	-	1,200	2,000		
			6	18	55	-	150	-	310	-	600	-	1,100	1,900		
			7	19	50	-	140	-	300	-	550	-	1,100	1,800		
			8	17	45	-	120	-	260	-	500	-	1,000	1,600		
			9	14	40	-	100	-	230	-	450	-	900	1,500		
			10	14	60	-	150	-	325	-	650	-	1,200	2,000		
			12	-	55	-	150	-	310	-	600	-	1,100	1,900		
			14	-	42	-	140	-	300	-	550	-	1,100	1,800		
			16	-	45	-	120	-	260	-	500	-	1,000	1,600		
		20	-	40	-	100	-	230	-	450	-	900	1,500			
		2	12	12	-	-	-	-	-	-	-	-	-	-	-	-
			15	14	-	-	-	-	-	-	-	-	-	-	-	-
			16	15	-	-	-	-	-	-	-	-	-	-	-	-
			20	14	-	-	-	-	-	-	-	-	-	-	-	-
			25	15	60	60	150	150	325	325	650	650	1,200	1,200	2,000	2,000
			28	19	50	50	140	140	300	300	550	550	1,100	1,100	1,800	1,800
			30	20	55	55	150	150	310	310	600	600	1,100	1,100	1,900	1,900
			32	17	45	45	120	120	260	260	500	500	1,000	1,000	1,600	1,600
			35	19	50	50	140	140	300	300	550	550	1,100	1,100	1,800	1,800
			40	17	45	45	120	120	260	260	500	500	1,000	1,000	1,600	1,600
			45	14	40	40	100	100	230	230	450	450	900	900	1,500	1,500
			48	-	-	55	150	150	310	310	600	600	1,100	1,100	1,900	1,900
			50	14	60	60	150	150	325	325	650	650	1,200	1,200	2,000	2,000
			60	20	55	55	150	150	310	310	600	600	1,100	1,100	1,900	1,900
			64	-	-	45	120	120	260	260	500	500	1,000	1,000	1,600	1,600
			70	19	50	50	140	140	300	300	550	550	1,100	1,100	1,800	1,800
			80	17	45	45	120	120	260	260	500	500	1,000	1,000	1,600	1,600
			90	14	40	40	100	100	230	230	450	450	900	900	1,500	1,500
			100	14	40	60	150	150	325	325	650	650	1,200	1,200	2,000	2,000
		120	-	-	55	150	150	310	310	600	600	1,100	1,100	1,900	1,900	
140	-	-	50	140	140	300	300	550	550	1,100	1,100	1,800	1,800			
160	-	-	45	120	120	260	260	500	500	1,000	1,000	1,600	1,600			
180	-	-	40	100	100	230	230	450	450	900	900	1,500	1,500			
200	-	-	40	100	100	230	230	450	450	900	900	1,500	1,500			
Emergency Stop Torque $T_{2NOT}$ <sup>(2)</sup>	Nm	1,2	3~200	3 times of Nominal Output Torque												
Nominal Input Speed $n_{1N}$	rpm	1,2	3~200	5,000	5,000	5,000	4,000	4,000	4,000	4,000	3,000	3,000	3,000	2,000		
Max. Input Speed $n_{1B}$	rpm	1,2	3~200	10,000	10,000	10,000	8,000	8,000	8,000	8,000	6,000	6,000	6,000	4,000		
Micro Backlash P0	arcmin	1	3~20	-	-	-	≤2	-	≤2	-	≤2	-	≤2	≤2		
		2	12~200	-	-	-	≤4	≤4	≤4	≤4	≤4	≤4	≤4	≤4		
Reduced Backlash P1	arcmin	1	3~20	≤4	≤4	-	≤4	-	≤4	-	≤4	-	≤4	≤4		
		2	12~200	≤7	≤7	≤7	≤7	≤7	≤7	≤7	≤7	≤7	≤7	≤7		
Standard Backlash P2	arcmin	1	3~20	≤6	≤6	-	≤6	-	≤6	-	≤6	-	≤6	≤6		
		2	12~200	≤9	≤9	≤9	≤9	≤9	≤9	≤9	≤9	≤9	≤9	≤9		
Torsional Rigidity	Nm/arcmin	1,2	3~200	3	7	7	14	14	25	25	50	50	145	225		
Max. Radial Load $F_{2RB}$ <sup>(3)</sup>	N	1,2	3~200	610	1,400	1,400	4,100	4,100	9,200	9,200	14,000	14,000	18,000	33,000		
Max. Axial Load $F_{2AB}$ <sup>(3)</sup>	N	1,2	3~200	320	1,100	1,100	3,700	3,700	5,800	5,800	11,400	11,400	19,500	16,300		
Max. Tilting Moment $M_{2K}$	Nm		3~200	20	85	85	380	380	970	970	1,840	1,840	2,740	5,030		
Efficiency $\eta$	%	1	3~20	≥95%												
		2	12~200	≥92%												
Weight	kg	1	3~20	0.9	2.1	-	6.4	-	11.3	-	22.5	-	44	77		
		2	12~200	1.2	1.9	2.8	4.8	8	10.6	15.1	21	29.2	41	75		
Operating Temp	°C	1,2	3~200	-10°C~+90°C												
Lubrication		1,2	3~200	Synthetic lubrication oils												
Degree of Gearbox Protection		1,2	3~200	IP65												
Mounting Position		1,2	3~200	all directions												
Noise <sup>(4)</sup>	dB(A)	1,2	3~200	≤61	≤63	≤65	≤65	≤68	≤68	≤70	≤70	≤72	≤72	≤74		

(1) Ratio ( $i=N_{in}/N_{out}$ )

(2) Max. acceleration torque  $T_{2B} = 60\%$  of  $T_{2NOT}$

(3) Applied to the output shaft center at 100 rpm

(4) The dB values are measured by gearbox with ratio 10 (1-stage) or ratio 100 (2-stage), no loading at 3,000 RPM

or at the respective Nominal Input Speed by bigger model size.

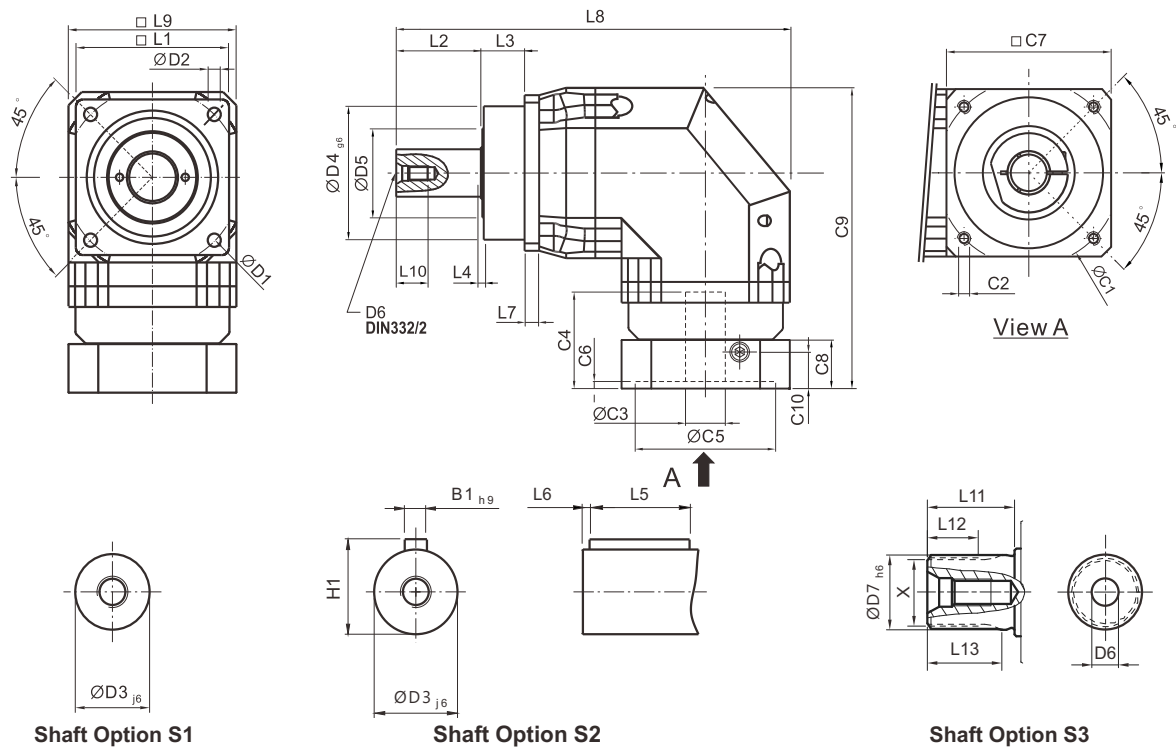
By lower ratio and/or higher RPM, the noise level could be 3 to 5 dB higher.



## Gearbox Inertia

Model No.		Stage	Ratio	AFR042	AFR060	AFR060 A	AFR075	AFR075A	AFR100	AFR100A	AFR140	AFR140A	AFR180	AFR220	
Mass Moments of Inertia J <sub>i</sub>	kg · cm <sup>2</sup>	1	3~10	0.09	0.35	—	2.25	—	6.84	—	23.4	—	68.9	135.4	
			12~20	—	0.31	—	1.87	—	6.25	—	21.8	—	65.6	119.8	
		2	12~20	0.09	—	—	—	—	—	—	—	—	—	—	—
			25~90	0.09	0.09	0.35	0.35	2.25	2.25	6.84	6.84	23.4	23.4	68.9	
			48, 64	—	—	0.31	0.31	1.87	1.87	6.25	6.25	21.8	21.8	65.6	
			100~200	—	—	0.31	0.31	1.87	1.87	6.25	6.25	21.8	21.8	65.6	

# Dimensions (1-stage, Ratio $i=3\sim 20$ ) / AFR Series

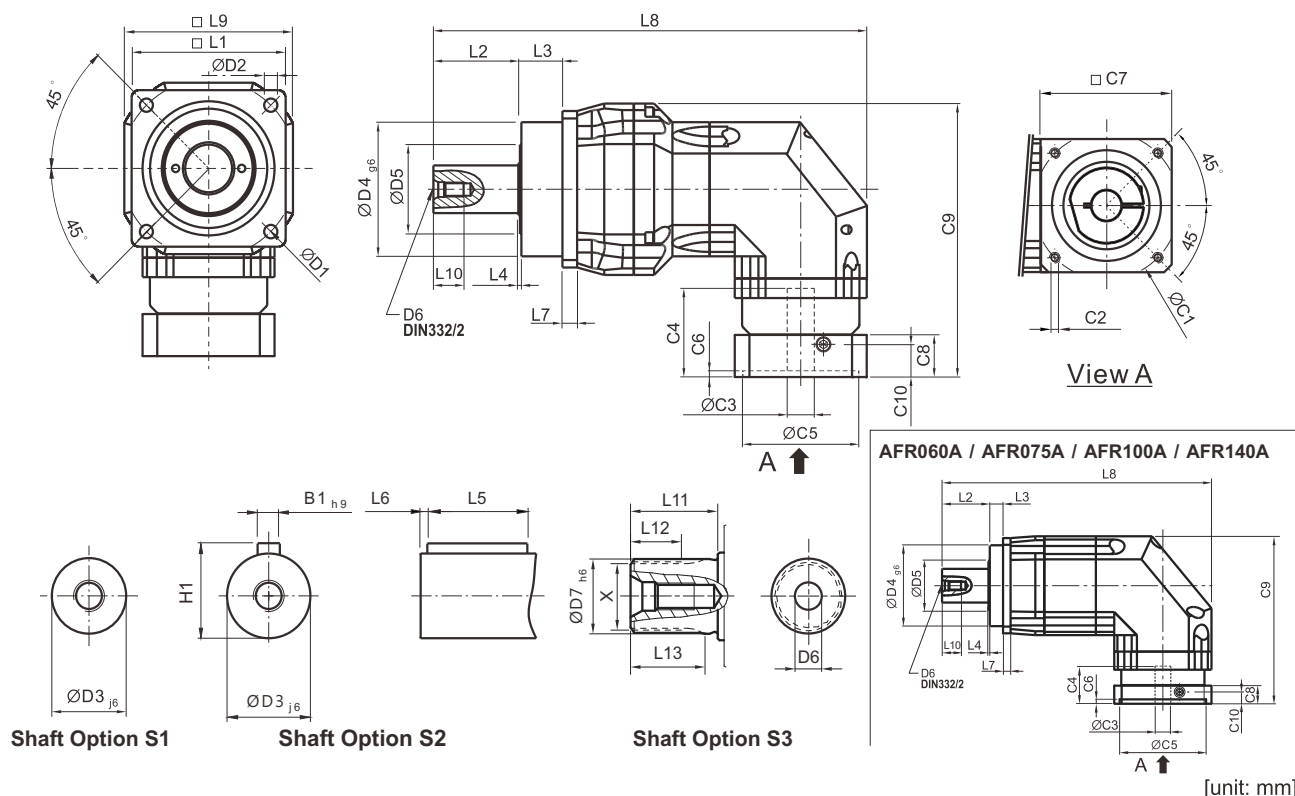


[unit: mm]

Dimension	AFR042	AFR060	AFR075	AFR100	AFR140	AFR180	AFR220
D1	50	68	85	120	165	215	250
D2	3.4	5.5	6.8	9	11	13	17
D3 <sub>j6</sub>	13	16	22	32	40	55	75
D4 <sub>g6</sub>	35	60	70	90	130	160	180
D5	22	45	60	80	75	95	115
D6	M4 x 0.7P	M5 x 0.8P	M8 x 1.25P	M12 x 1.75P	M16 x 2P	M20 x 2.5P	M20 x 2.5P
D7 <sub>h6</sub>	-	16	22	32	40	55	75
L1	42	62	76	105	142	180	220
L2	19.5	28.5	36	58	82	82	105
L3	6.5	20	20	30	30	30	33
L4	1	1.5	2	2	3	3	3
L5	16	25	32	40	63	70	90
L6	2	2	3	5	5	6	7
L7	4	6	7	10	12	15	20
L8	111.5	150	219	269.5	338.5	397	484
L9	42	60	90	115	142	180	220
L10	10	12.5	19	28	36	42	42
L11	-	26	26	26	40	41.5	52
L12	-	15	15	15	20	21.5	28
L13	-	21	22.5	23	33.5	33.5	45
C1 <sup>1</sup>	46	70	100	130	165	215	235
C2 <sup>1</sup>	M4 x 0.7P	M5 x 0.8P	M6 x 1P	M8 x 1.25P	M10 x 1.5P	M12 x 1.75P	M12 x 1.75P
C3 <sup>1</sup>	$\leq 11 / \leq 12^2$	$\leq 14 / \leq 16^2$	$\leq 19 / \leq 24^2$	$\leq 32$	$\leq 38$	$\leq 48$	$\leq 55$
C4 <sup>1</sup>	25	34	40	50	60	85	116
C5 <sup>1</sup>	30	50	80	110	130	180	200
C6 <sup>1</sup>	3.5	8	4	5	6	6	6
C7 <sup>1</sup>	42	60	90	115	142	190	220
C8 <sup>1</sup>	29.5	19	17	19.5	22.5	29	63
C9 <sup>1</sup>	90.5	111.5	152.5	191.5	235.5	303.5	378.5
C10 <sup>1</sup>	8.75	13.5	10.75	13	15	20.75	53
B1 <sub>h9</sub>	5	5	6	10	12	16	20
H1	15	18	24.5	35	43	59	79.5
X DIN5480	-	W16x0.8x 30x18x6m	W22x1.25x 30x16x6m	W32x1.25x 30x24x6m	W40x2x 30x18x6m	W55x2x 30x26x6m	W70x2x 30x34x6m

1. C1-C10 are motor specific dimensions (metric std shown). Refer to [www.apexdyna.com](http://www.apexdyna.com) and Design Tool to view your specific motor mounting system.  
 2. AFR042M1 offers C3  $\leq 12$  option; AFR060M1 offers C3  $\leq 16$  option; AFR075M1 offers C3  $\leq 24$  option.

# Dimensions (2-stage, Ratio i=12~200) / AFR Series



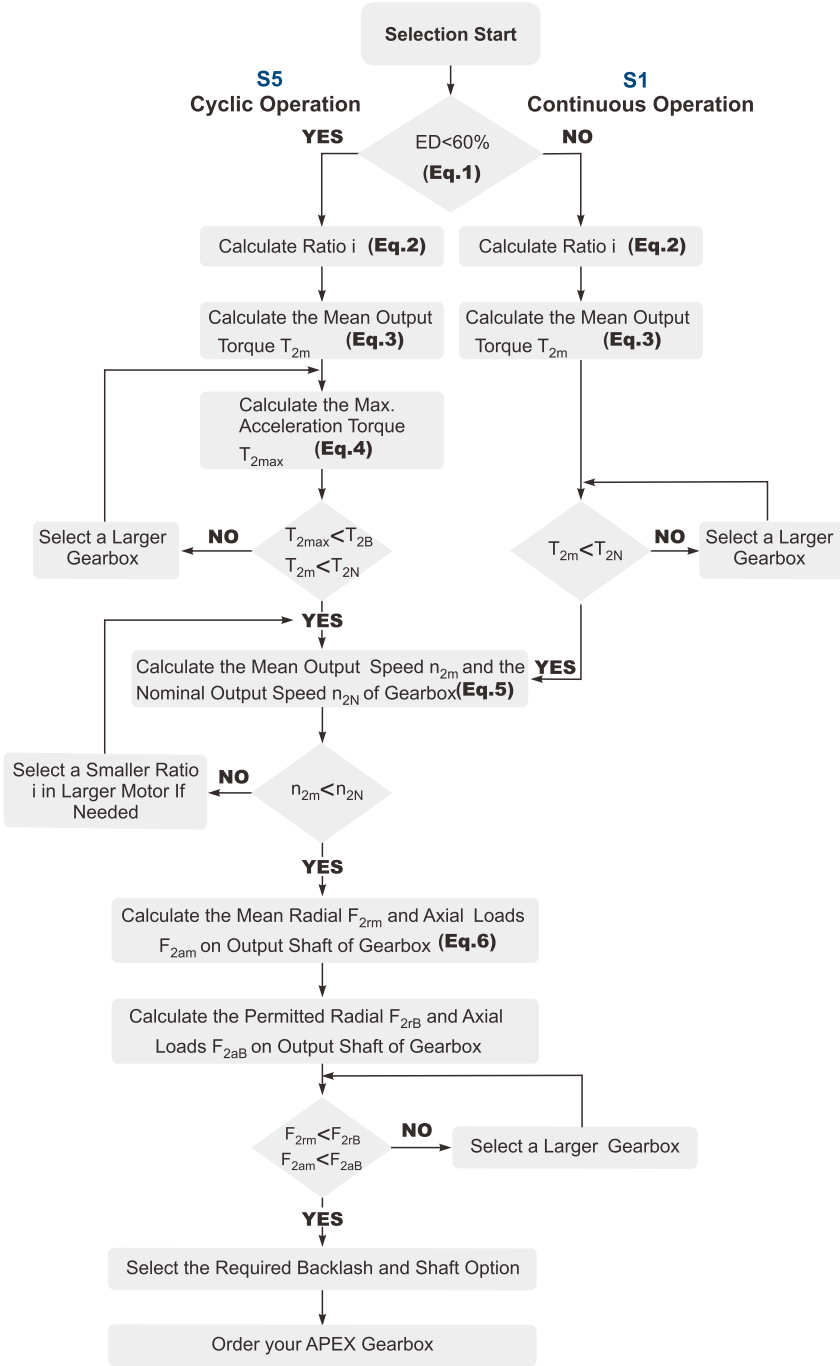
[unit: mm]

Dimension	AFR042	AFR060	AFR060A	AFR075	AFR075A	AFR100	AFR100A	AFR140	AFR140A	AFR180	AFR220
D1	50	68		85		120		165		215	250
D2	3.4	5.5		6.8		9		11		13	17
D3 <sub>j6</sub>	13	16		22		32		40		55	75
D4 <sub>g6</sub>	35	60		70		90		130		160	180
D5	22	45		60		80		75		95	115
D6	M4x0.7P	M5 x 0.8P		M8 x 1.25P		M12 x 1.75P		M16 x 2P		M20x2.5P	M20x2.5P
D7	-	16		22		32		40		55	75
L1	42	62		76		105		142		180	220
L2	19.5	28.5		36		58		82		82	105
L3	6.5	20		20		30		30		30	33
L4	1	1.5		2		2		3		3	3
L5	16	25		32		40		63		70	90
L6	2	2		3		5		5		6	7
L7	4	6		7		10		12		15	20
L8	139	168.5	187	222.5	267	295.5	330.5	370.5	410	434	521
L9	42	60		90		115		142		180	220
L10	10	12.5		19		28		36		42	42
L11	-	26		26		26		40		41.5	52
L12	-	15		15		15		20		21.5	28
L13	-	21		22.5		23		33.5		33.5	45
C1 <sup>3</sup>	46	46	70	70	100	100	130	130	165	165	215
C2 <sup>3</sup>	M4x0.7P	M4x0.7P	M5 x 0.8P	M5 x 0.8P	M6 x 1P	M6 x 1P	M8x1.25P	M8x1.25P	M10x1.5P	M10x1.5P	M12x1.75P
C3 <sup>3</sup>	≤11 / ≤12 <sup>4</sup>	≤11 / ≤12 <sup>4</sup>	≤14 / ≤16 <sup>4</sup>	≤14 / ≤15.875 / ≤16 <sup>4</sup>	≤19 / ≤24 <sup>4</sup>	≤19 / ≤24 <sup>4</sup>	≤32	≤32	≤38	≤38	≤48
C4 <sup>3</sup>	25	25	34	34	40	40	50	50	60	60	85
C5 <sup>3</sup>	30	30	50	50	80	80	110	110	130	130	180
C6 <sup>3</sup>	3.5	3.5	8	8	4	4	5	5	6	6	6
C7 <sup>3</sup>	42	42	60	60	90	90	115	115	142	142	190
C8 <sup>3</sup>	29.5	29.5	19	19	17	17	19.5	19.5	22.5	22.5	29
C9 <sup>3</sup>	90.5	99.5	111.5	126.5	152.5	165	191.5	205	235.5	254.5	323.5
C10 <sup>3</sup>	8.75	8.75	13.5	13.5	10.75	10.75	13	13	15	15	20.75
B1 <sub>h9</sub>	5	5		6		10		12		16	20
H1	15	18		24.5		35		43		59	79.5
X DIN5480	-	W16x0.8x 30x18x6m		W22x1.25x 30x16x6m		W32x1.25x 30x24x6m		W40x2x 30x18x6m		W55x2x 30x26x6m	W70x2x 30x34x6m

3. C1~C10 are motor specific dimensions (metric std shown). Refer to [www.apexdyna.com](http://www.apexdyna.com) and Design Tool to view your specific motor mounting system.

4. AFR042M1 offers C3 ≤ 12 option; AFR060/A M1 offers C3 ≤ 12/16 option; AFR075/A M1 offers C3 ≤ 16/24 option; AFR075 M2 offers C3 ≤ 15.875. AFR100M1 offers C3 ≤ 24 option.

# Selection of the Optimum Gearbox



**Recommended (for S5 Cycle Operation)**

The general design is given for

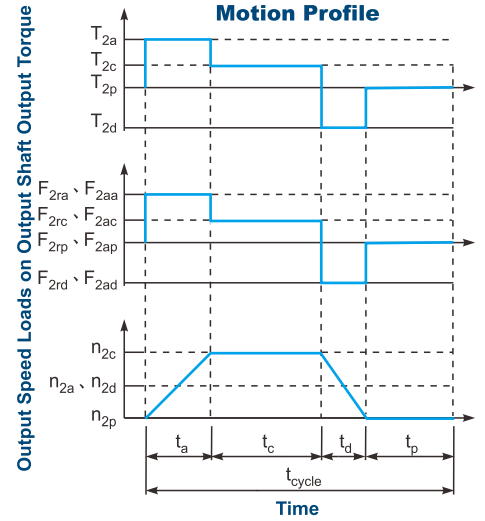
$$\frac{J_L}{i^2} \leq 4 \times J_m$$

The optimal design is given for

$$\frac{J_L}{i^2} \cong J_m$$

$J_L$  Load Inertia

$J_m$  Motor Inertia



$$1. ED = \frac{t_a + t_c + t_d}{t_{cycle}} \times 100\% .$$

Index : a. Acceleration, c. Constant, d. Deceleration, p. Pause **(Eq.1)**

$$2. i \cong \frac{n_m}{n_{work}}$$

$n_m$  Output Speed of the Motor  
 $n_{work}$  Working Speed **(Eq.2)**

$$3. T_{2m} = \sqrt[3]{\frac{n_{2a} \times t_a \times T_{2a}^3 + n_{2c} \times t_c \times T_{2c}^3 + n_{2d} \times t_d \times T_{2d}^3}{n_{2a} \times t_a + n_{2c} \times t_c + n_{2d} \times t_d}}$$

**(Eq.3)**

$$4. T_{2max} = T_{mB} \times i \times K_s \times \eta$$

where  $K_s$  is

$K_s$	No. of Cycles / hr
1.0	0 ~ 1,000
1.1	1,000 ~ 1,500
1.3	1,500 ~ 2,000
1.6	2,000 ~ 3,000
1.8	3,000 ~ 5,000

$T_{mB}$  Max. Output Torque of the Motor

$\eta$  Efficiency of the Gearbox **(Eq.4)**

$$5. n_{2a} = n_{2d} = \frac{1}{2} \times n_{2c}$$

$$n_{2m} = \frac{n_{2a} \times t_a + n_{2c} \times t_c + n_{2d} \times t_d}{t_a + t_c + t_d}$$

$$n_{2N} = \frac{n_{1N}}{i}$$

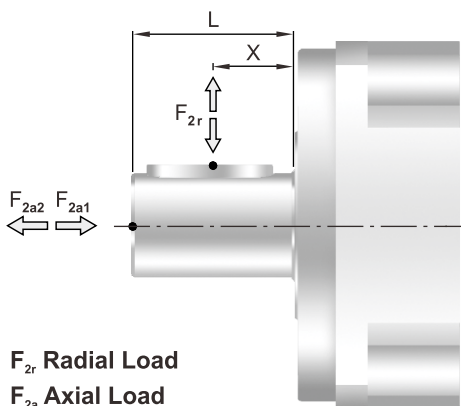
**(Eq.5)**

$$6. F_{2rm} = \sqrt[3]{\frac{n_{2a} \times t_a \times F_{2ra}^3 + n_{2c} \times t_c \times F_{2rc}^3 + n_{2d} \times t_d \times F_{2rd}^3}{n_{2a} \times t_a + n_{2c} \times t_c + n_{2d} \times t_d}}$$

$$F_{2am} = \sqrt[3]{\frac{n_{2a} \times t_a \times F_{2aa}^3 + n_{2c} \times t_c \times F_{2ac}^3 + n_{2d} \times t_d \times F_{2ad}^3}{n_{2a} \times t_a + n_{2c} \times t_c + n_{2d} \times t_d}}$$

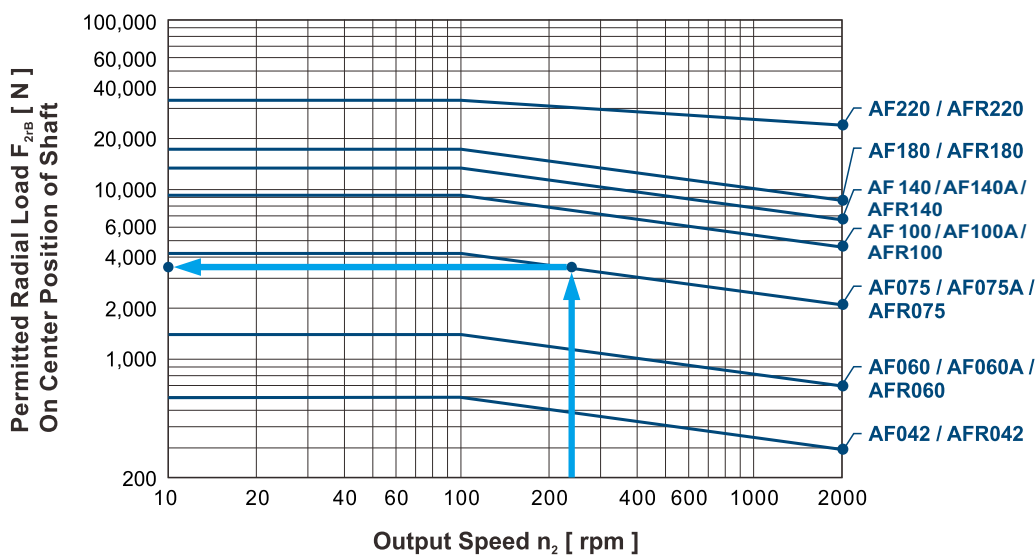
**(Eq.6)**

# Permitted Radial and Axial Loads

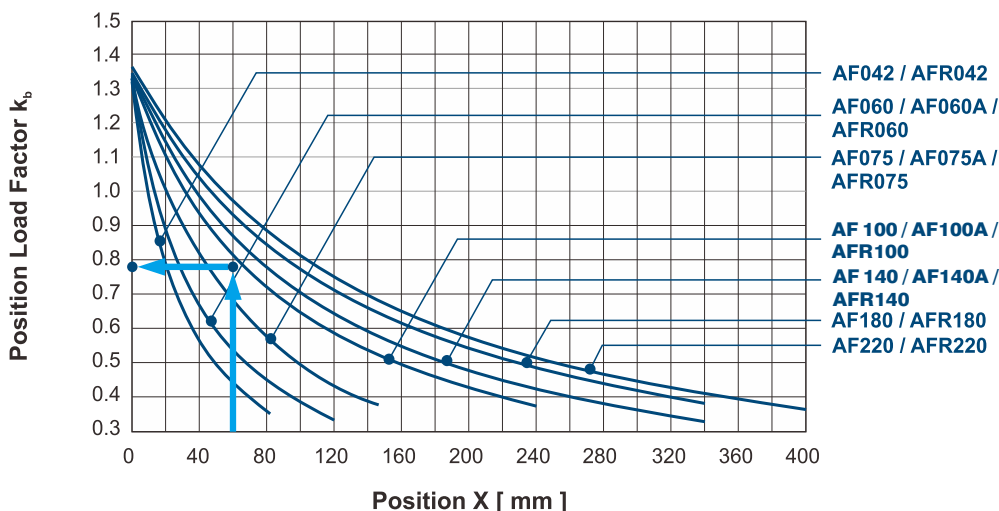


The permitted radial and axial loads on output shaft of the gearbox depend on the design of the gearbox supporting bearings. APEX use the extension straddle oversized ball bearing design. It can take heavy load from both axes.

$F_{2r}$  Radial Load  
 $F_{2a}$  Axial Load



If radial force  $F_{2r}$  is exerted on the center of the output shaft  $X=1/2 \times L$ . The permitted radial load is given on left diagram.



If radial force  $F_{2r}$  is not exerted on the center of the output shaft  $X < 1/2 \times L$  or  $X > 1/2 \times L$ . The permitted radial and axial loads can be calculated by the position load factor  $k_b$  on the left diagram.

# Note



# Note



**APEX TAIWAN NORTH  
ANDTEK AUTOMATION CO.,LTD**  
TEL +886-02-8226255  
13F-5, NO.2, Jian 8th Rd., Jhonghe Dist., New  
Taipei City 235, TAIWAN  
[sales@andtek.com.tw](mailto:sales@andtek.com.tw)  
[www.apexdyan.com](http://www.apexdyan.com)



**APEX TAIWAN CENTRAL  
ANDTEK AUTOMATION CO.,LTD**  
TEL +886-04-23594286  
9F-6, NO.925, Sec.4, Taiwan Blvd., Xitun Dist.  
Taichung City 407, TAIWAN  
[sales@andtek.com.tw](mailto:sales@andtek.com.tw)  
[www.apexdyan.com](http://www.apexdyan.com)



**APEX TAIWAN SOUTH  
MEN JENN ELECTRIC CO., LTD.**  
TEL +886-06-2337332\*6  
NO.774, Zhonghua Rd., Yongkang Dist., Tainan  
City 710, TAIWAN  
[menjenn@ms24.hinet.net](mailto:menjenn@ms24.hinet.net)  
[www.apexdyan.com](http://www.apexdyan.com)



**APEX TAIWAN INC. SHANGHAI**  
TEL +86-21-69220577  
NO.128 ZHUHONG Road QINGPU Industry Area,  
Shanghai, CHINA  
[sales@apexdyna.cn](mailto:sales@apexdyna.cn)  
[www.apexdyan.cn](http://www.apexdyan.cn)



**APEX DYNAMICS SHENZHEN, LTD.**  
TEL +86-755-84516325  
NO. 1102A of D area, CFG mansion, Bao Yuan  
Road, Bao' an District, Shenzhen, CHINA.  
[sales@szapexdyna.com](mailto:sales@szapexdyna.com)  
[www.szapexdyna.com](http://www.szapexdyna.com)



**APEX DYNAMICS BEIJING, LTD.**  
TEL +86-10-69570691  
NO. 1, Yao Ping Road, Song Zhuang Town, Tongzhou  
District, Beijing, CHINA.  
[bjapexdyna@163.com](mailto:bjapexdyna@163.com)  
[www.bjapex.cn](http://www.bjapex.cn)



**CHONGQING APEX DYNAMICS CO., LTD.**  
TEL +86-23-67686860  
406, Building 5, NO. 68, Jinyu Avenue, Beibu New  
Area, Chongqing, CHINA  
[sales@cqapexdyna.com](mailto:sales@cqapexdyna.com)  
[www.apexdyna.com](http://www.apexdyna.com)



**APEX (XIAMEN) DYNAMICS TECHNOLOGY CO., LTD.**  
TEL +86-0592-720-5279  
Unit B-3, 1F., NO. 129, Jingquan Road, Jimei District,  
Xiamen, Fujian, CHINA  
[sales@xmapexdyan.com](mailto:sales@xmapexdyan.com)  
[www.xmapexdyna.com](http://www.xmapexdyna.com)



**APEX DYNAMICS USA, INC.**  
TEL +1-631-2449040  
885 Marconi Avenue Ronkonkoma, NY 11779  
U.S.A.  
[sales@apexdynamicsusa.com](mailto:sales@apexdynamicsusa.com)  
[www.apexdynamicsusa.com](http://www.apexdynamicsusa.com)



**APEX DYNAMICS KOREA INC**  
TEL +82-31-8179992  
7-5, Aenigol-gil, Ilsandong-gu, Goyang-si, Gyeonggi-do,  
Republic of Korea 10301  
[sales@apexdynakorea.co.kr](mailto:sales@apexdynakorea.co.kr)  
[www.apexdynakorea.co.kr](http://www.apexdynakorea.co.kr)



**APEX DYNAMICS JAPAN**  
TEL +88-092-4511202  
1-3-46, Hamnichibasi, Hakata-ku, Fukuoka,  
812-0897, JAPAN  
[sales@apexdyna.jp](mailto:sales@apexdyna.jp)  
[www.apexdyna.jp](http://www.apexdyna.jp)



**APEX DYNAMICS SINGAPORE PTE LTD**  
TEL +65-62-626228  
3 South Buona Vista Road, #05-15 & #06-15.  
SINGAPORE 118136  
[sales@apexdyna.com.sg](mailto:sales@apexdyna.com.sg)  
[www.apexdyna.com.sg](http://www.apexdyna.com.sg)



**APEX DYNAMICS (THAILAND) CO., LTD.**  
TEL +66-2-326623  
87 Soi Ladkrabang 30, Ladkrabang, Ladkrabang,  
Bangkok 10520, Thailand  
[Apexthai2010@gmail.com](mailto:Apexthai2010@gmail.com)  
[www.apexdyna.co.th](http://www.apexdyna.co.th)



**APEX DYNAMICS BV**  
TEL +31-492-509995  
Churchillaan 101 5705 BK Helmond, NETHERLANDS  
[sales@apexdyna.nl](mailto:sales@apexdyna.nl)  
[www.apexdyna.be](http://www.apexdyna.be)



**APEX DYNAMICS  
POLSKA SP. Z O.O.**  
TEL +48-12-6304728  
Ul. Krakowska 50, 32-083 Balice, Poland  
[sales@apexdyna.pl](mailto:sales@apexdyna.pl)  
[www.apexdyna.pl](http://www.apexdyna.pl)



**APEX DYNAMICS SPAIN, S.L.**  
TEL +34-93-6562990  
Poligono Industrial Moli dels Freres, Calle C nº  
12,08620-Sant Vicenç dels Horts, Barcelona, SPAIN  
[apexdyna@apexdyna.es](mailto:apexdyna@apexdyna.es)  
[www.apexdyna.es](http://www.apexdyna.es)



**Big Diamond Trading Company LLC**  
TEL +968-94268885  
2nd floor, Regus, Tamimah building, Al  
Wattayah, Muscat, Oman  
[ar.gorji@diamondtradings.com](mailto:ar.gorji@diamondtradings.com)



**APEKS DINAMIK REDUKTOR DISLI SAN TIC AS**  
TEL +90-232-4589960  
10053 SOKAK NO: 9 A.O.S.B. CIGLI - IZMIR - TURKEY  
[sales@apexdyna.com.tr](mailto:sales@apexdyna.com.tr)  
[www.apexdyna.com.tr](http://www.apexdyna.com.tr)



**APEX DYNAMICS AUSTRALIA PTY LTD.**  
TEL +613-95-852739  
36 Taunton Drive, Cheltenham, Victoria 3192  
AUSTRALIA  
[sales@apexdyna.com.au](mailto:sales@apexdyna.com.au)  
[www.apexdyna.com.au](http://www.apexdyna.com.au)



**APEX DYNAMICS (I) JV**  
TEL +91-9607927142  
Shop No. 02, S. No. 100/5, Pune-Satara Highway,  
Ambegaon Khurd, Pune-411046 Maharashtra, India  
[sales@apexdyna.co.in](mailto:sales@apexdyna.co.in)  
[www.apexdyna.co.in](http://www.apexdyna.co.in)



**APEX DYNAMICS FRANCE SAS**  
TEL +33-160-135097  
11 - Burospace - 91570 - Bièvres, France  
[info@apexdyna.fr](mailto:info@apexdyna.fr)  
[www.apexdyna.fr](http://www.apexdyna.fr)



**APEX DYNAMICS SWEDEN AB**  
TEL +46-75-2424444  
Fredrikbergsgatan 2 SE-573 92 Tranås, SWEDEN  
[sales@apexdyna.se](mailto:sales@apexdyna.se)  
[www.apexdyna.se](http://www.apexdyna.se)



**PT.APEX DYNAMICS INDONESIA**  
TEL +62 21 2928 3681  
Rukan Aralia Blok HY43 no.11, Harapan Indah II,  
Bekasi - Jawa Barat, INDONESIA 17214  
[sales@apexdyna.co.id](mailto:sales@apexdyna.co.id)  
[www.apexdyna.co.id](http://www.apexdyna.co.id)



**APEX DYNAMICS GERMANY GMBH**  
TEL +49-7171 798069-0  
Marie-Curie-Straße 25 D-73529 Schwäbisch Gmünd  
[werner.langer@apexdynamics.de](mailto:werner.langer@apexdynamics.de)  
[www.apexdynamics.de](http://www.apexdynamics.de)



**APEX DYNAMICS CZECH S.R.O.**  
TEL +420-577-663877  
tř. Tomáše Bati 1851 765 02 Otrokovice Česká  
REPUBLIKA  
[info@apexdynaczech.cz](mailto:info@apexdynaczech.cz)  
[www.apexdynaczech.cz](http://www.apexdynaczech.cz)



**APEX DYNAMICS РОССИЯ**  
TEL +7-495-2255452  
TEL +7-495-6462422  
г.Москва, ул. Южнопортовая, дом 7, строение  
"С", 3-й этаж  
[info@apexdynarussia.ru](mailto:info@apexdynarussia.ru)  
[www.apexdynarussia.ru](http://www.apexdynarussia.ru)



**APEX DYNAMICS MIDLANDS LTD**  
TEL +44-0121-737-1170  
Heath House, Cheadle Rd, Uttoxeter,  
ST14 7BY, UK  
[mikeg@apexdynauk.com](mailto:mikeg@apexdynauk.com)  
[www.apexdynauk.com](http://www.apexdynauk.com)



**APEX DYNAMICS SWITZERLAND AG**  
TEL +41-55-4517020  
Obergasse 40, CH-8854 Galgenen, Switzerland  
[info@apexdyna.ch](mailto:info@apexdyna.ch)  
[www.apexdyna.ch](http://www.apexdyna.ch)



**APEX DYNAMICS MOTION (M) SDN BHDTEL**  
TEL +60 7237 1055  
Block A1-2, #35-03, Mercu 1 Jalan Tanjung Puteri 1,  
R & F Tanjung Puteri, Johor Bahru 80300, Johor.  
[sales@apexdyna.com.sg](mailto:sales@apexdyna.com.sg)  
[www.apexdyna.com.sg](http://www.apexdyna.com.sg)



**APEX DYNAMICS BRAZIL**  
TEL +55-47-30298700  
Rua Senador Petrônio Portela, 47-Bloco 5, Zona  
Industrial Norte-CEP 89218-575-Joinville (SC)  
[luciano@neoyama.com.br](mailto:luciano@neoyama.com.br)  
[adriano.tuarte@neoyama.com.br](mailto:adriano.tuarte@neoyama.com.br)  
[www.neoyama.com.br](http://www.neoyama.com.br)



**APEX DYNAMICS ITALY SRL**  
TEL +39 02 36634521  
VIA E. DE AMICIS, 2-20091 BRESSO (MI)  
[info@apexdynamics.it](mailto:info@apexdynamics.it)  
[www.apexdynamics.it](http://www.apexdynamics.it)



**APEX DYNAMICS AUSTRIA GmbH**  
TEL +43 720788416  
Dr. Hans-Lechner-Strasse 6,  
5071 Wals-Siezenheim  
[info@apexdynamics.at](mailto:info@apexdynamics.at)  
[www.apexdynamics.at](http://www.apexdynamics.at)



**UAB "APEKSO DINAMIKA"**  
TEL +370 52078165  
Medaus g. 28A,  
Medininkai k., Vilniaus r. Sav.  
LT-13192  
[info@apexdyna.lt](mailto:info@apexdyna.lt)  
[www.apexdyna.lt](http://www.apexdyna.lt)



**APEX DYNAMICS DENMARK**  
TEL +45 73121260  
Grundtvigs Allé 165, 6400  
Sønderborg, Denmark  
[sales@apexdyna.dk](mailto:sales@apexdyna.dk)  
[www.apexdyna.dk](http://www.apexdyna.dk)



**APEX DYNAMICS ISRAEL**  
TEL +972-3-6470471  
17 Hamefalsim St., Kiryat Arye,  
Petach-Tikva 4951447  
[Sales@apexdynamics.co.il](mailto:Sales@apexdynamics.co.il)  
[www.apexdynamics.co.il](http://www.apexdynamics.co.il)



**APEX DYNAMICS SLOVAKIA S.R.O.**  
TEL +421919400476  
Trenčianska cesta 887/52, 957 01  
Bánovce nad Bebravou, Slovak republic  
[office@apexdyna.sk](mailto:office@apexdyna.sk)  
[www.apexdyna.sk](http://www.apexdyna.sk)



## APEX DYNAMICS, INC.

No10. Keyuan 3rd RD.Situn District, Taichung City 40763, Taiwan (R.O.C)

Tel:886-4-24650219 | Fax:886-4-24650118

[sales@apexdyna.com](mailto:sales@apexdyna.com) | <http://www.apexdyna.com>

**APEX-2022-11-AF/AFR SERIES-1.0-TWN**

Printed in Taiwan

