

TMH3

series



Product Segments

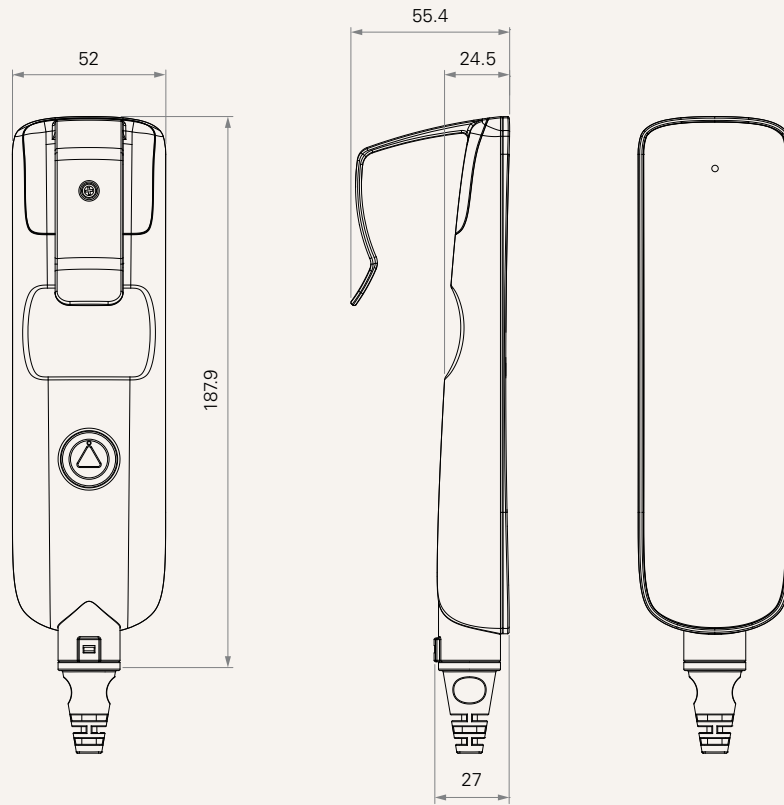
- **Care Motion**

General Features

Number of motors	1~4
Max. available buttons	6
Color	Black ,grey
IP rating	IP66
Options	Hook, magnetic hook
Safety key	Available
Operational temperature range	+5°C~+45°C
For patient hoist applications	
Compatible with control boxes-TC12 or TC20	

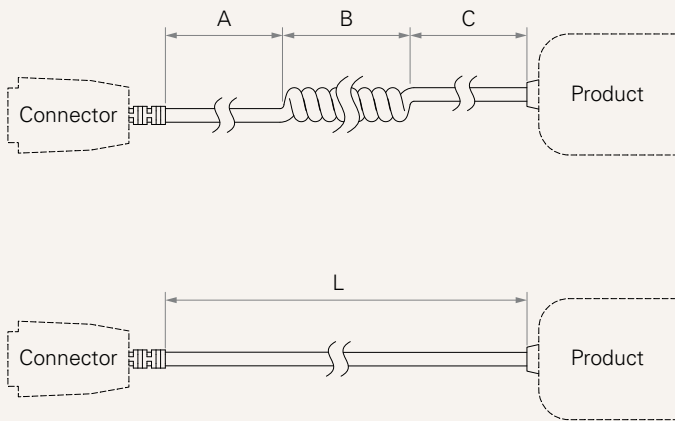
Drawing

Standard Dimensions
(mm)



MCU	0 = Without	1 = With		
Control Box Type	0 = Without MCU control box		1 = With MCU control box	
Number of Actuators	1 = 1	2 = 2	3 = 3	4 = 4
Button Definition	See appendix* Note: please contact TiMOTION before making an order			
Safety Key	0 = Without	1 = With		
Plug	3 = DIN 8P	4 = RJ 10P		
Plug Angle	1 = 90°	2 = 180°		
Cable Length (mm)	0~A = See page 4			
Color	1 = Black	2 = Pantone 428C		
Hook	1 = Standard	4 = Magnetic hook		
IP Rating	2 = IP54	3 = IP66		

Cable Length



Cable Section (mm)

CODE	Part A	Part B	Part C
0	0	0	0
1	1000	0	0
2	1500	0	0
3	2000	0	0
4	4000	0	0
5	1000	300	200
6	1200	300	300
7	1400	300	400
8	1000	200	200

Terms of Use

The user is responsible for determining the suitability of TiMOTION products for a specific application. TiMOTION products are subject to change without prior notice.