

TEK50 series

Preassembled Single Motor Desk Frame

General Features

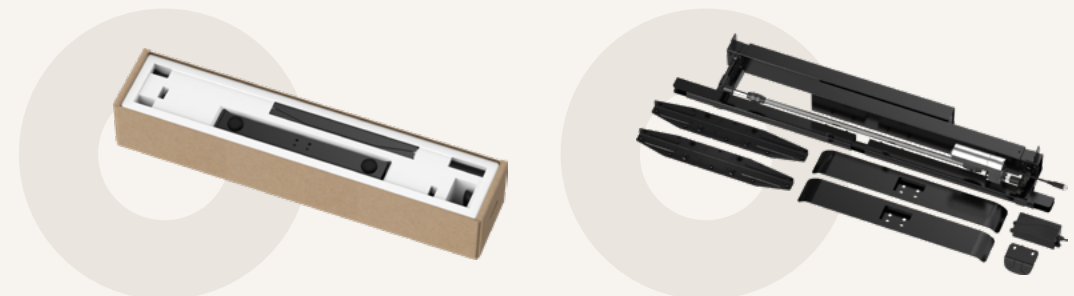
Max. load	70kg
Speed	2-Stage Column: 22mm/s
Weight of package	25Kg
Standby power	< 0.1W
Accessories	Spindle hood cover
Anti-Collision Protection	
Perfect solution for an entry-level, height-adjustable frame	
Pre-assembled frame kit – Quick and effortless assembly	
Compact and light weight packaging	



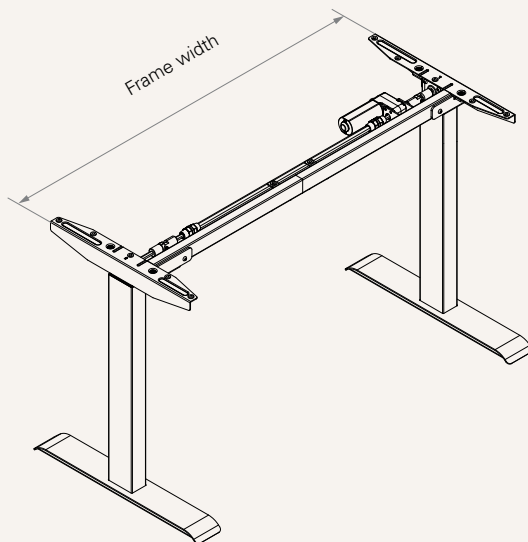
Color (RAL Classic)



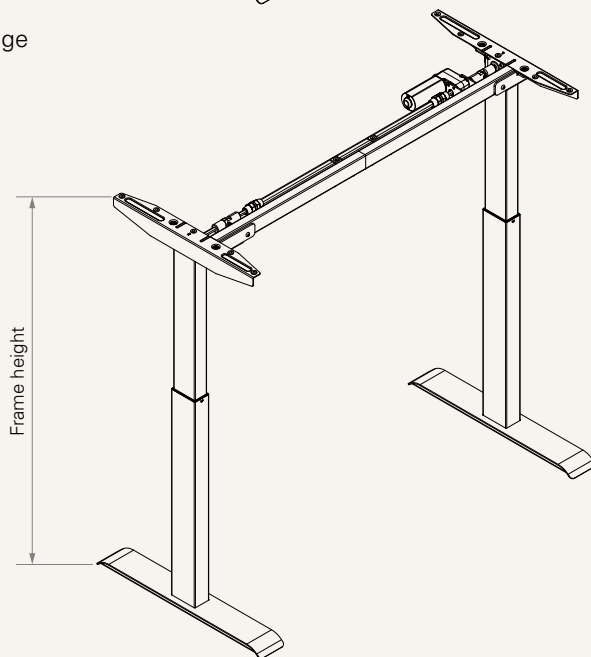
*For more color options, please consult your sales representative.



Dimension



- 2-Stage



Frame & Work Surface

Frame dimensions (mm)	Recommended work surface dimensions (mm)	
Width (mm)	Width (mm)	Depth (mm)
1050~1500	1200~1600	600~800

Hight Range

Column type	Frame height (mm)	Stroke (mm)
2-Stage	680~1180	500

Accessory



Without



With cover hood



End Pipe



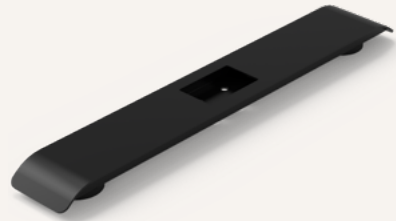
Style A



Foot



Style BB



Control System



1 = Top & Down
button, no display,
no memory button



2 = With display,
with memory button

TEK50 Ordering Key

TEK50

Version: 20230316-C

Load and Speed	B Note: please contact TiMOTION before making an order		
Stroke & Retracted Length (mm)	500660 = Stroke 500, Retracted length 660, (Top narrow bottom wide)		
Color	1 = Matte Black (RAL 7021)	2 = White (RAL 9016)	3 = Special grey (RAL 9022)
Plug	1 = EU 2 = US	3 = AU 4 = UK	5 = JP
Control System	2 = With display, with memory button (need to provide software No.) See page 4		
Assembly Manual	0 = Without	1 = English, no logo, Black & White	
Accessory	0 = Without	1 = With cover hood See page 3	
Package	1 = Standard	2 = Sample package (This option is only for sample deliver)	

Terms of Use

The user is responsible for determining the suitability of TiMOTION products for a specific application. TiMOTION products are subject to change without prior notice.