

TCR

series



Product Segments

- **Care Motion**
- **Comfort Motion**
- **Ergo Motion**
- **Industrial Motion**

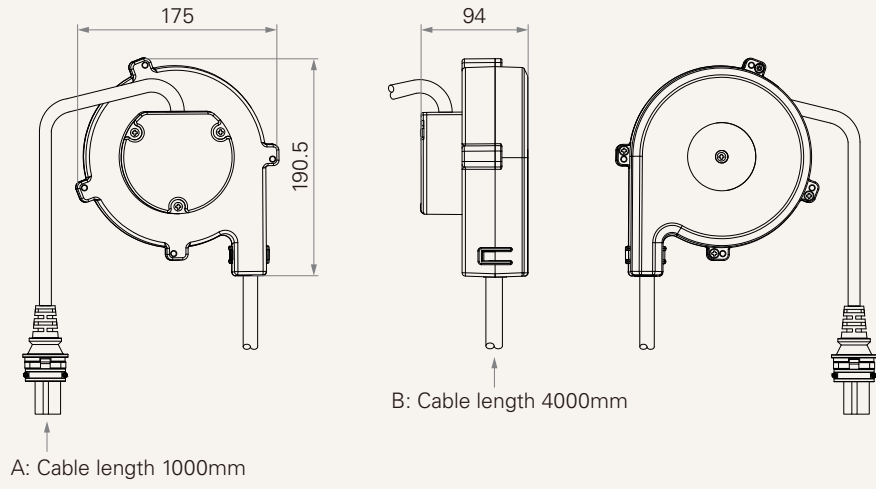
The TCR is a cable reel designed to assist with cable management for the control box's AC cable.

General Features

Angle of AC plug	90° or 180°
Color	Black or grey

Drawing

Standard Dimensions
(mm)



TCR

Version: 20200214-D

AC Plug	1 = EU	2 = US	3 = AU	4 = EN
Number of PIN See page 4	2 = 2 PIN	3 = 3 PIN		
Angle of Plug See page 4	1 = 90°	2 = 180°		
Cable Length (mm)	3 = Straight, 4000			
Color	1 = Black	2 = Grey (Pantone 428C)		

AC Plug Type

CODE	Angle of Plug / Number of Pin			
	90° / 2pin	90° / 3pin	180° / 2pin	180° / 3pin
1				
2	X			
3	X			
4	X		X	X

Terms of Use

The user is responsible for determining the suitability of TiMOTION products for a specific application. TiMOTION products are subject to change without prior notice.