

TL9

series



Product Segments

- **Ergo Motion**

TiMOTION's TL9 series lifting columns are specifically designed for use in ergonomic desks and work tables. Using multiple TL series lifting columns with compatible TC series Control Boxes and TH/TDH series controls, work surfaces can be controlled quietly and smoothly with synchronous movement. All Ergo Motion TC series control boxes have a less than 0.06W standby power option that reduces power consumption. Our wide range of columns offer customers the solutions they require to satisfy their working environment project requirements. The TL9 has a three part telescopic outer tube that is designed for a narrow-top, wide-bottom round appearance.

General Features

Maximum load	800N in push
Maximum speed at full load	28.0mm/s (with 800N in a push condition)
Minimum installation dimension	590mm
Dimension of outer tube	Ø70mm
Stroke	650mm
Three part outer tube with round appearance	
With narrow top and wide bottom configuration	

Load and Speed

CODE	Rated Load	Self Locking N (PUSH)	Typical Current at Rated Load (A)	Typical Speed	
	PUSH N			No Load (32V DC) mm/s	Rated Load (24V DC) mm/s

Motor Speed (5200RPM)

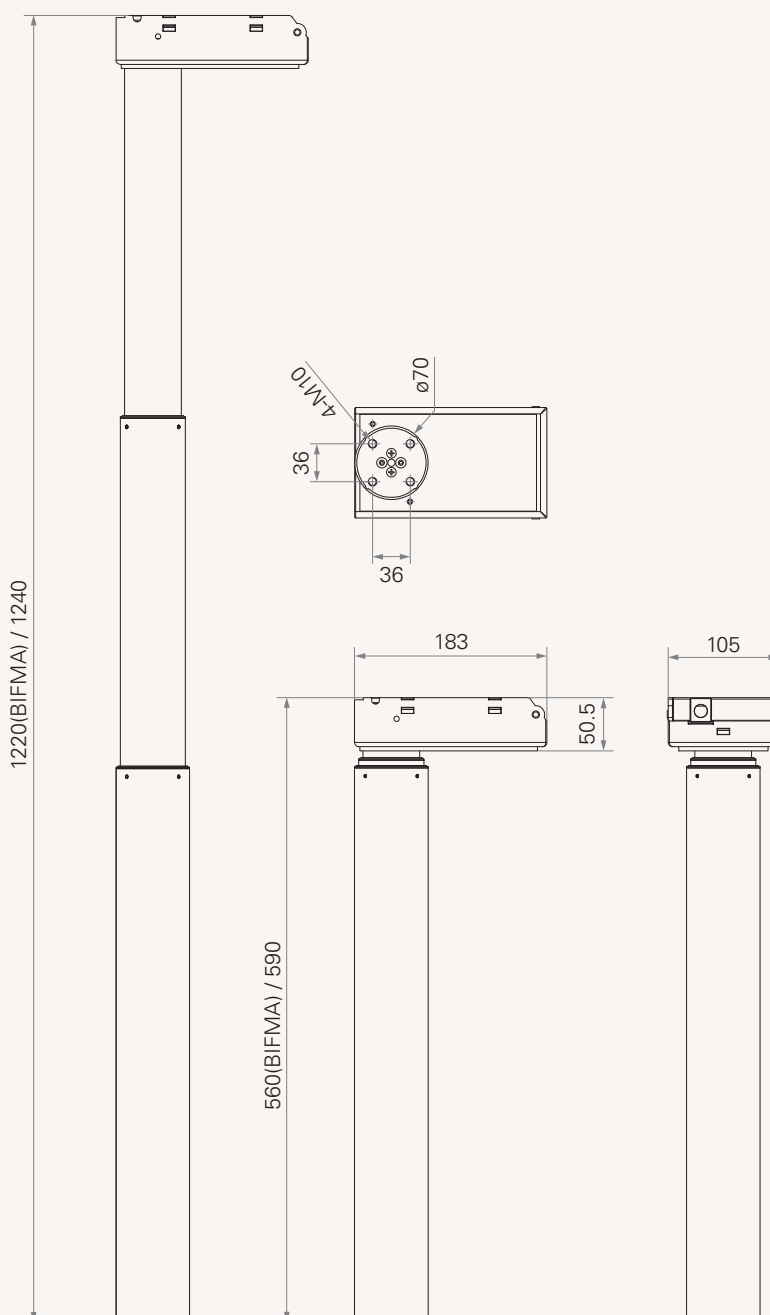
C	800	1000	6.0	58.0	28.0
---	-----	------	-----	------	------

Note

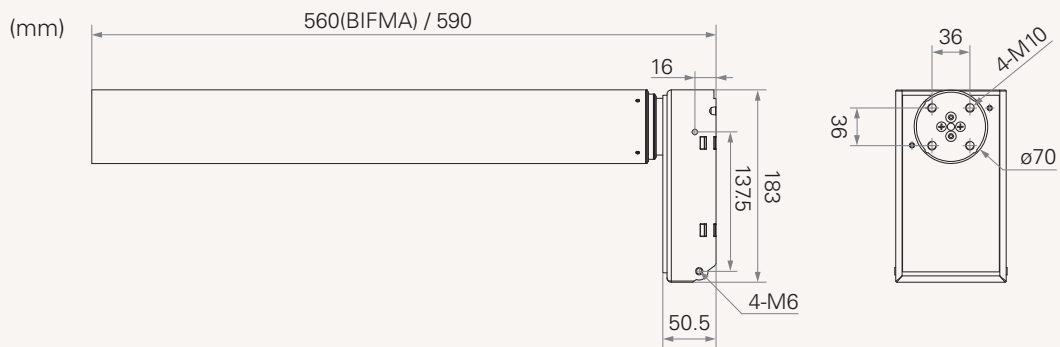
- 1 The above are the speed and current figures under pushing condition.
- 2 The self locking force above need to work with TiMOTION control system.

Drawing

Standard Dimensions
(mm)



Installation Guide



Control Boxes

Have less than 0.1W stand-by power consumption option that enhances power efficiency.



TC11
support a single motor



TC15
support 2 motors



TC16
support 3 motors

Controls

Multiple choices of handsets; embedded on the top of table or side.



TH14



TH37



TDH1



TDH2



TDH3



TDH4



TDH5



TDH6



TFH8

TL9

Version: 20150122-B

<input type="checkbox"/>	Voltage	2 = 24V		
<input type="checkbox"/>	Load and Speed	See page 2.		
<input type="checkbox"/>	Stroke (mm)	650mm		
<input type="checkbox"/>		660mm (BIFMA)		
<input type="checkbox"/>				
<input type="checkbox"/>	Retracted Length (mm)	590mm		
<input type="checkbox"/>		560mm (BIFMA)		
<input type="checkbox"/>				
<input type="checkbox"/>	Color	1 = Black (RAL 9005) + black wiper 2 = Grey (RAL 9006) + black wiper 3 = White (RAL 9016) + black wiper 4 = Special grey (RAL 9022) + black wiper	6 = Grey (RAL 9006) + grey wiper 7 = White (RAL 9016) + white wiper 8 = Special grey (RAL 9022) + grey wiper	
<input type="checkbox"/>	Installation for Bottom Side	0 = Standard (36, 36)		
<input type="checkbox"/>	Output Signals	2 = Two Hall sensors		
<input type="checkbox"/>	Plug	1 = TiMOTION's standard 6pin plug	2 = Tinned leads	E = Molex plug 8pin A = Customized
<input type="checkbox"/>	Cable Length	8 = Straight, 1410mm		

Terms of Use

The user is responsible for determining the suitability of TiMOTION products for a specific application. TiMOTION products are subject to change without prior notice.