

TH17

series



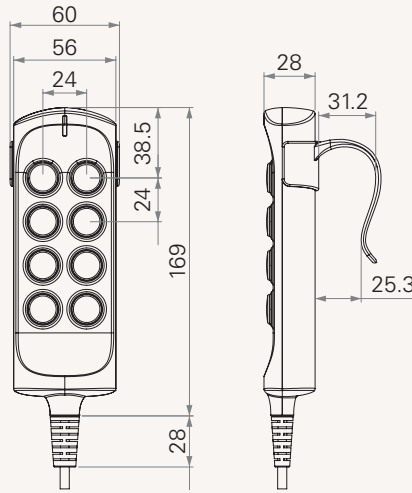
Product Segments

• Comfort Motion

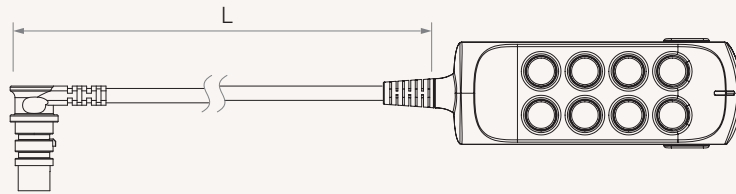
Connected actuators	1~3
Maximum available buttons	8
Color	black
Option	safety key, hook
Rubber-made buttons	

Drawing

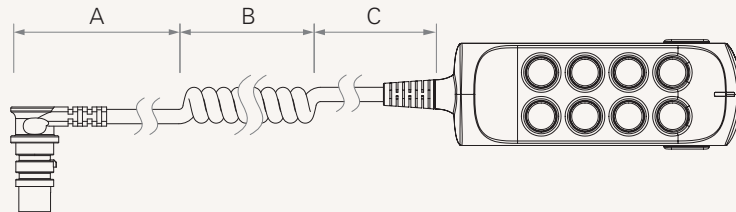
Standard Dimension
(mm)



Dimension with Cable Length
Code 1



Code 2



Cable Length (mm)

CODE

1	Straight, L=1500
2	Coiled, A=1000, B=200, C=200

Terms of Use

The user is responsible for determining the suitability of TiMOTION products for a specific application.

Due to continuous development in order to improve our products, TiMOTION products are subject to frequent modifications and changes without prior notice.

TiMOTION reserves the right to discontinue the sale of any products displayed on its website or listed in its catalogue or other written materials drawn up by TiMOTION.

TH17 Ordering Key

TH17

Version: 20150104-F

<input type="checkbox"/>	Number of Actuators	1 = 1	2 = 2	3 = 3
<input type="checkbox"/>	Plug	1 = DIN 5pin, for TDC 2 = DIN 8pin, for TC2/TC3/TC7 3 = Short 5pin DIN, for TDC	4 = DIN 8pin, 180°, for extension cable 5 = RJ 10pin, 180°, for TC6/TC9/extension cable A = Customized	
<input type="checkbox"/>	Color (Cover)	1 = Black		
<input type="checkbox"/>	Safety Key	0 = Without		1 = With
<input type="checkbox"/>	Hook Type	0 = Without		1 = Standard
<input type="checkbox"/>	Key Definition	01~45 = See appendix* Note : please contact TiMOTION before making an order		AA = Customized
<input type="checkbox"/>	Cable Length	1~2= See appendix		