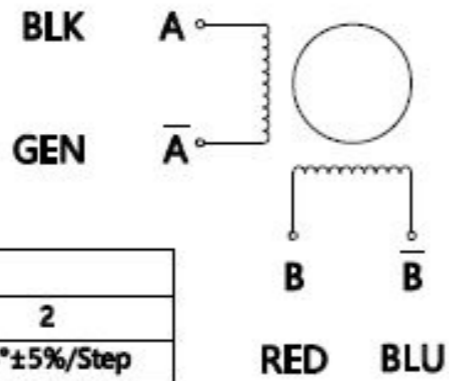
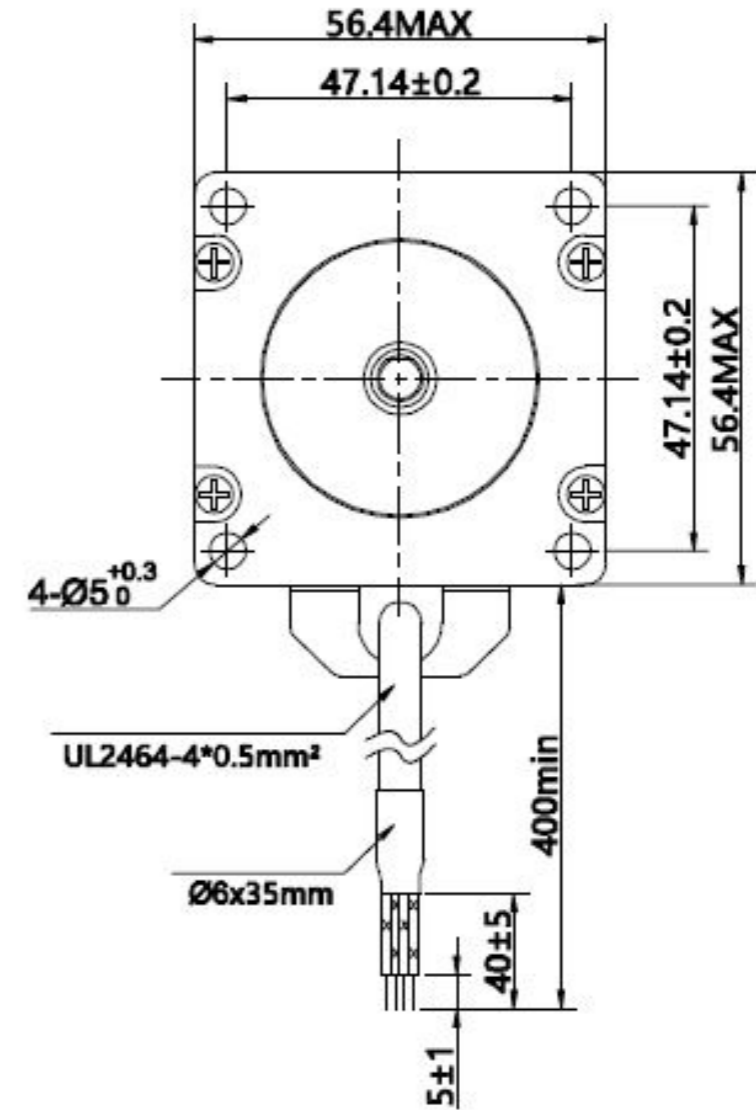
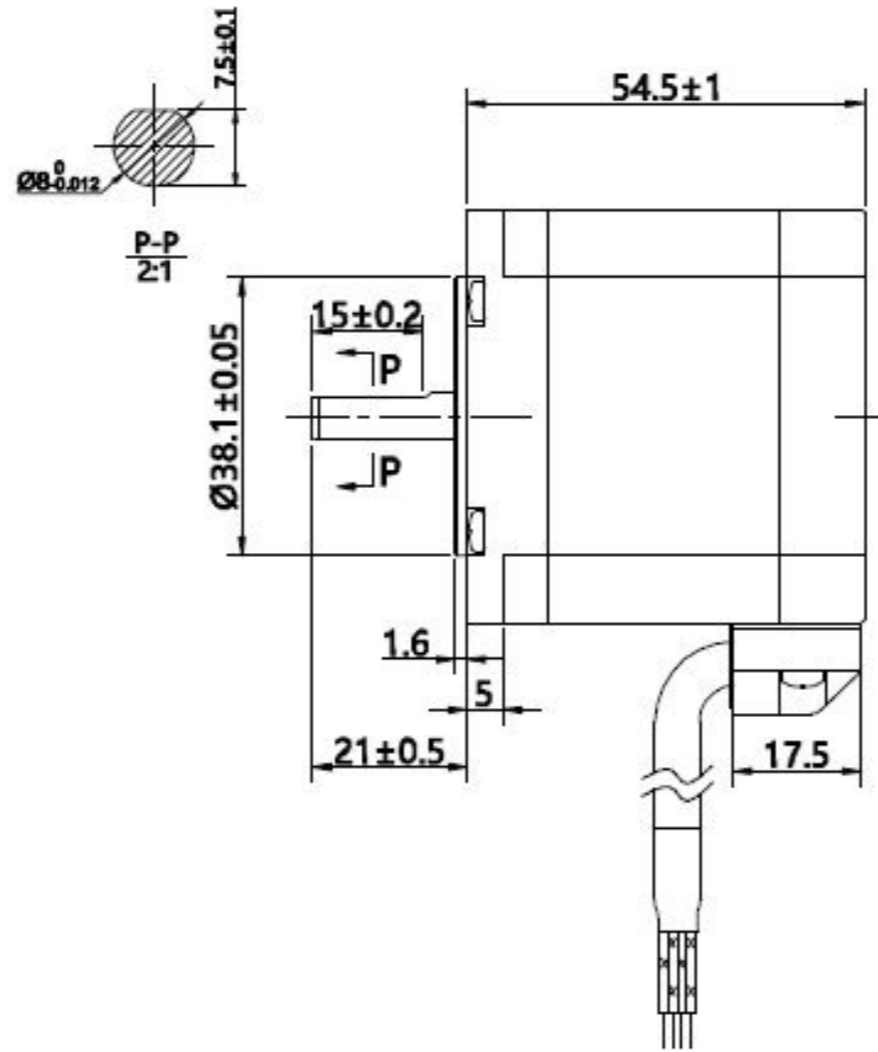
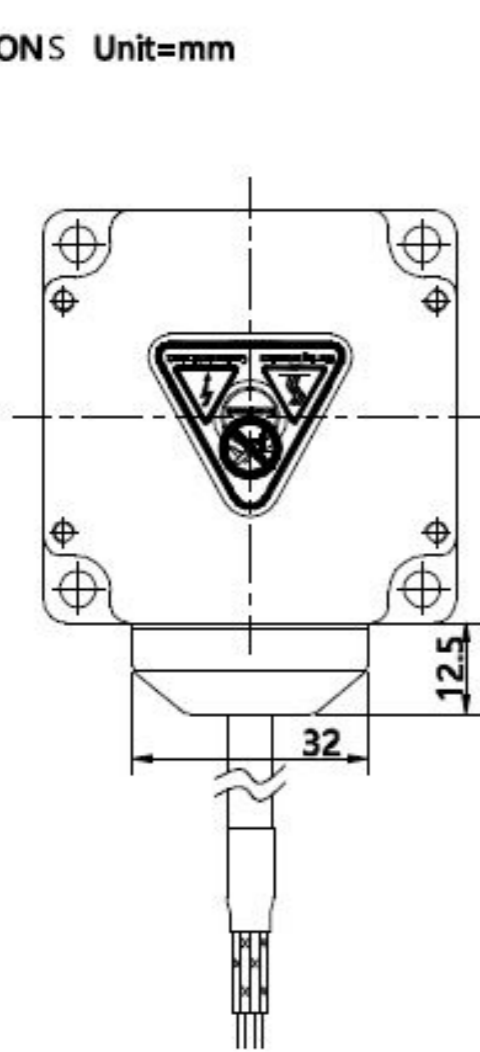
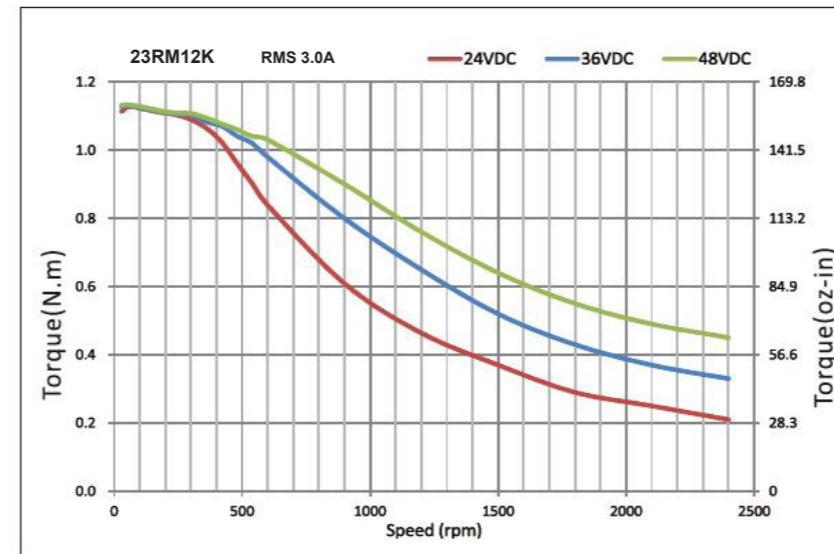


**DIMENSIONS** Unit=mm



Specifications		
1.	Phase	2
2.	Step Angle	1.8°±5%/Step
3.	Voltage	2.25 VDC
4.	Current	3.0 A
5.	Resistance	0.75±0.1Ω
6.	Inductance	2.8±20% $\mu$ H
7.	Holding Torque	≥120N.cm
8.	Surface Treatment	
9.	Dielectric Strength	500VAC/5mA/1min
10.	Insulation Resistance	≥100MΩ/500VDC
11.	Insulation Class	Class B
12.	Lead Style	MB-AP/C 4x0.2mm <sup>2</sup>
13.	Weight	TBD KG



(Title)	Stepper Motor
(Model)	23RM12K
(DWG No.)	R-23RM12K
(Scale)	1:1