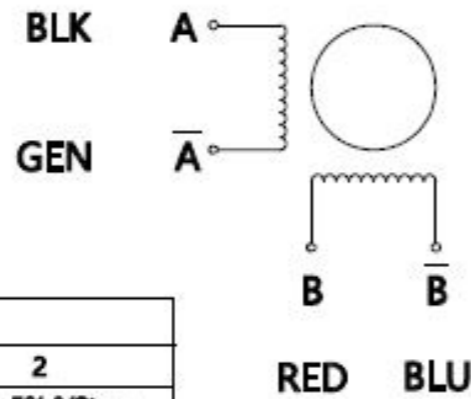
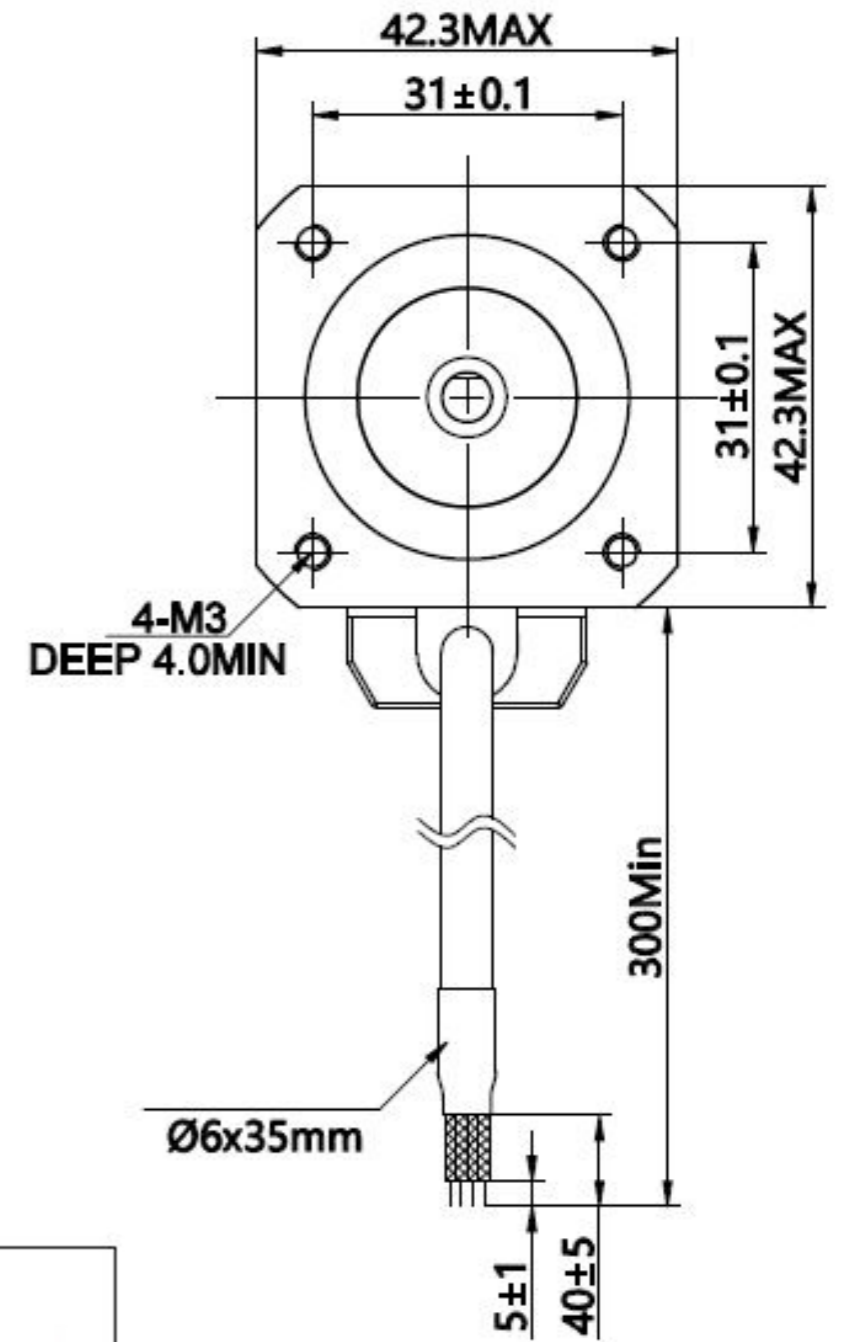
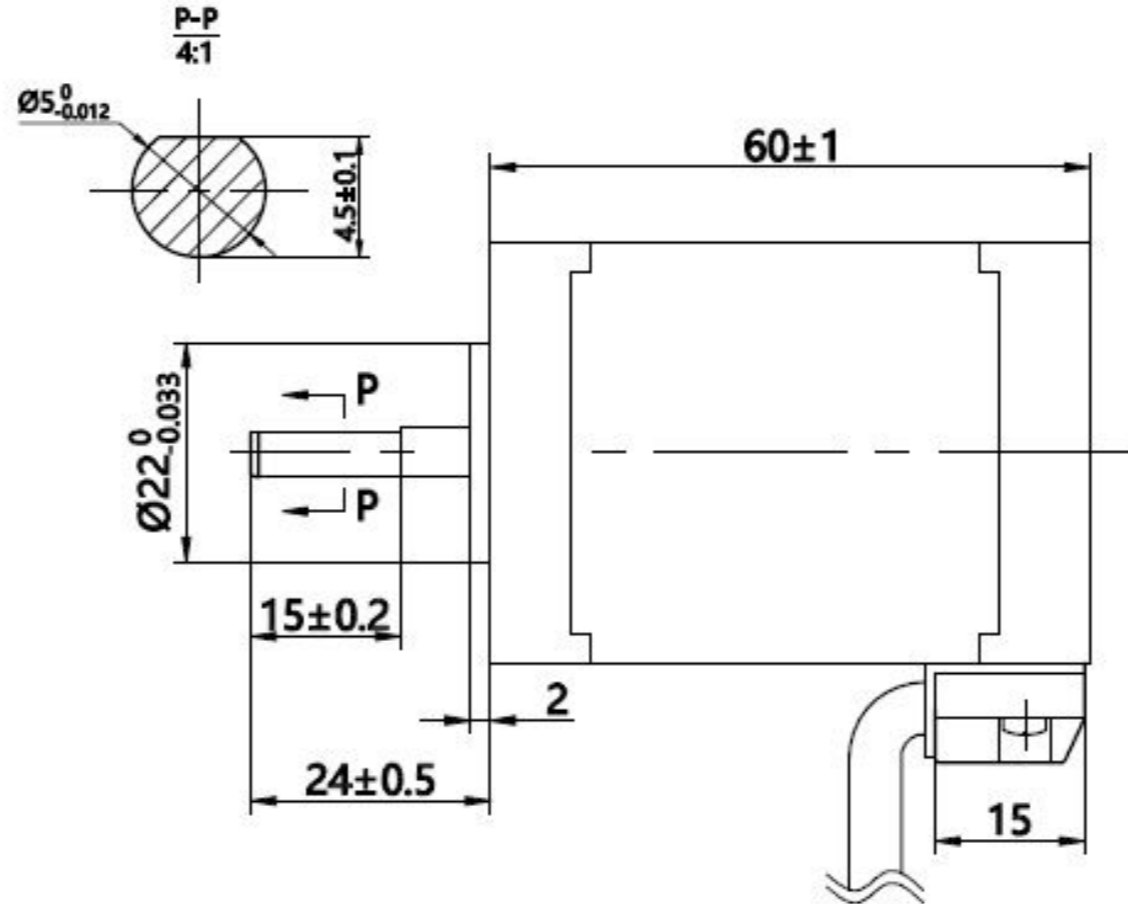
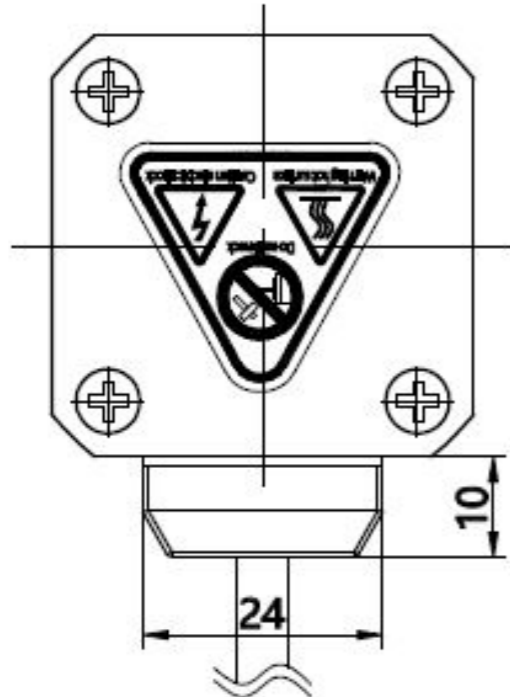
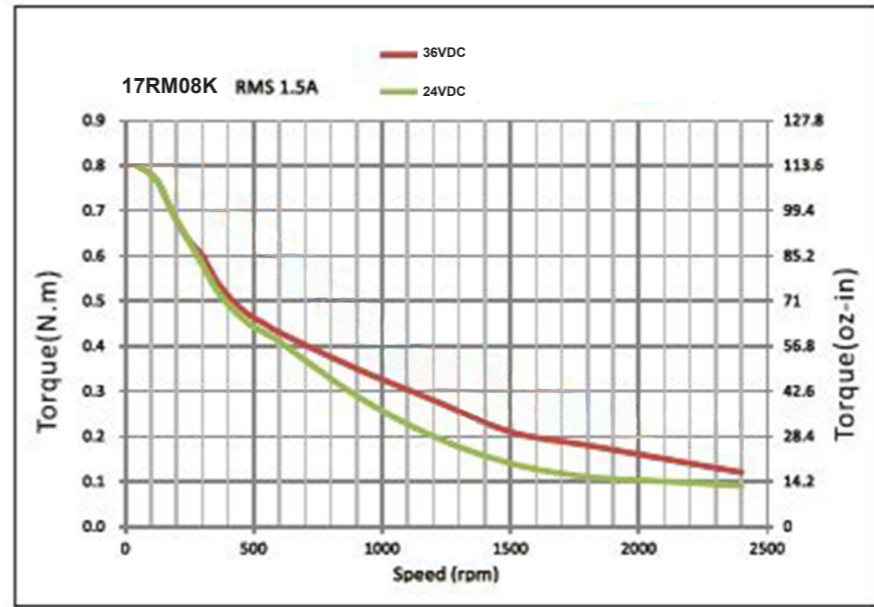


DIMENSIONS Unit=mm



Specifications		
1.	Phase	2
2.	Step Angle	1.8 ±5% °/Step
3.	Voltage	4.5 VDC
4.	Current	1.5 A
5.	Resistance	3.0 ±10% Ω
6.	Inductance	6.0 ±20% mH
7.	Holding Torque	80 N.cm
8.	Surface Treatment	
9.	Dielectric Strength	500VAC/5mA/1min
10.	Insulation Resistance	≥100MΩ/500VDC
11.	Insulation Class	Class B
12.	Lead Style	MB-AP/C 4x0.2mm ²
13.	Weight	TBD KG



(Title)	Stepper Motor
(Model)	17RM08K
(DWG No.)	R-17RM08K
(Scale)	1:1

